

Date \_\_\_\_\_

Name \_\_\_\_\_

Client \_\_\_\_\_

Project name \_\_\_\_\_

Quote# \_\_\_\_\_

Type/Quantity \_\_\_\_\_

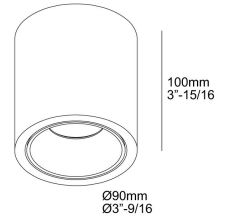
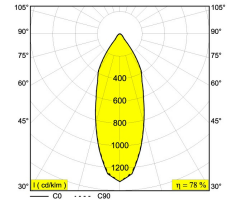
## Listings



# Specification Sheet

## BOXY R 93033 DIM8 6 251 70 811 932 ED8

[Weblink](#)



Available colors: BLACK-BLACK (6 251 70 811 932 ED8 B-B)  
 BLACK-GOLD MATT (6 251 70 811 932 ED8 B-MMAT)  
 WHITE-BLACK (6 251 70 811 932 ED8 W-B)  
 WHITE-WHITE (6 251 70 811 932 ED8 W-W)  
 BLACK-FLEMISH GOLD (6 251 70 811 932 ED8 B-FG)  
 BLACK-FLEMISH BRONZE (6 251 70 811 932 ED8 B-FBR)

1 x LED 10,4W / CRI>90 / 3000K / 1128lm  
 REFLECTOR FL-33°  
 INCL.DIMMABLE LED POWER SUPPLY 500mA-DC  
 MAINS DIMMING  
 For other CRI or KELVIN, contact factory

LED Technics: Light source: 1128 lm // 10 W // 109 lm/W  
 Luminaire: 883 lm // 12 W // 74 lm/W

120V / 60Hz

Class 2 N.a.  
 Ada N.a.  
 Installation methods BACKPLATE  
 MUD KIT INSTALLATION

Weight: 1.3 LBS  
 Protection level: IP53 - suitable for damp locations  
 Minimum distance: n.a.

Remarks: For other voltages or dimming options, contact factory.

Accessories: BOXY HONEYCOMB  
 BOXY SOFTENING LENS  
 BOXY GLASS SBL

Requirements :  
 MUD KIT 2  
 COVERPLATE R 117

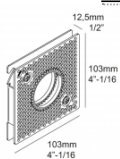
For detailed installation instructions, please consult the manual. [6\\_251\\_70\\_811\\_XXX\\_ED8\\_HAND.pdf](#)

**BOXY R 93033 DIM8**  
**6 251 70 811 932 ED8**

**Related references**

**MUD KITS**

[Weblink / Specsheet](#)

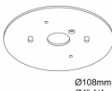


MUD KIT 2  
6 207 02 02

**Related references**

**COVER PLATES**

[Weblink / Specsheet](#)

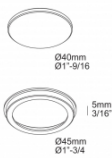


COVERPLATE R 117  
6 204 00 117

**Related references**

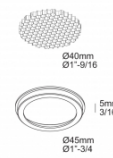
**LIGHT ALTERING DEVICES**

[Weblink / Specsheet](#)



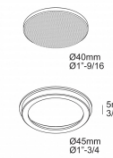
BOXY GLASS SBL  
251 70 03 05

[Weblink / Specsheet](#)



BOXY HONEYCOMB  
251 70 03 01

[Weblink / Specsheet](#)



BOXY SOFTENING LENS  
251 70 03 04

BOXY R 93033 DIM8  
6 251 70 811 932 ED8

Related project picture of product family:

