

Date _____

Name _____

Client _____

Project name _____

Quote# _____

Type/Quantity _____

Listings

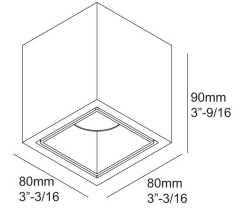
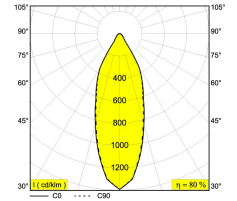


20/04/2022 14:05:33

Specification Sheet

BOXY L+ 93033 DIM1 6 251 67 811 932 ED1

[Weblink](#)



Available colors: ALU GREY-ALU GREY (6 251 67 811 932 ED1 A-A)
 BLACK-BLACK (6 251 67 811 932 ED1 B-B)
 BLACK-GOLD MATT (6 251 67 811 932 ED1 B-MMAT)
 WHITE-WHITE (6 251 67 811 932 ED1 W-W)
 BLACK-FLEMISH GOLD (6 251 67 811 932 ED1 B-FG)
 BLACK-FLEMISH BRONZE (6 251 67 811 932 ED1 B-FBR)

LED 7,1W / CRI>90 / 3000K / 812lm
 REFLECTOR FL-33°
 INCL.DIMMABLE LED POWER SUPPLY 350mA-DC
 DIMMING BY 0-10V CONTROL
 For other CRI or KELVIN, contact factory

LED Technics: Light source: 812 lm // 7 W // 115 lm/W
 Luminaire: 648 lm // 8 W // 79 lm/W

120-277V / 60Hz

Class 2 N.a.
 Ada N.a.
 Installation methods BACKPLATE
 MUD KIT INSTALLATION

Weight: 1.3 LBS
 Protection level: IP20 - suitable for damp locations
 Minimum distance: n.a.

Remarks: For other voltages or dimming options, contact factory.

Accessories: BOXY HONEYCOMB
 BOXY SOFTENING LENS
 BOXY GLASS SBL

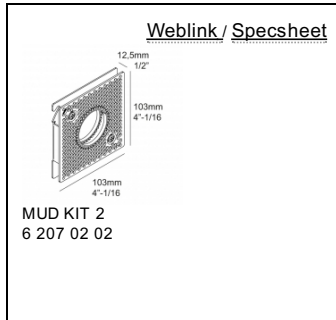
Requirements :
 MUD KIT 2
 COVERPLATE S 114

For detailed installation instructions, please consult the manual. [6_251_67_811_XXX_ED1_HAND.pdf](#)

BOXY L+ 93033 DIM1
6 251 67 811 932 ED1

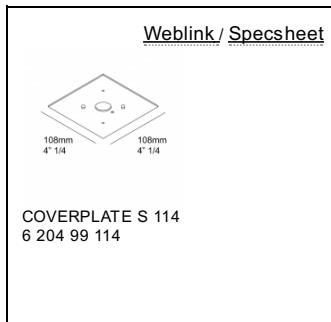
Related references

MUD KITS



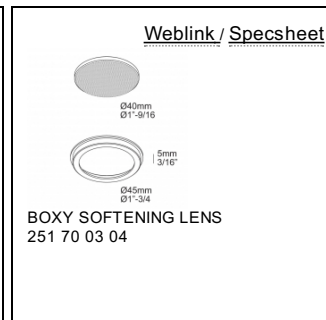
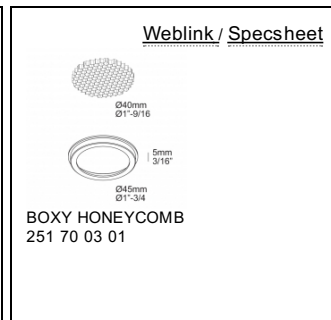
Related references

COVER PLATES



Related references

LIGHT ALTERING DEVICES



BOXY L+ 93033 DIM1
6 251 67 811 932 ED1

Related project picture of product family:

