

Date \_\_\_\_\_

Name \_\_\_\_\_

Client \_\_\_\_\_

Project name \_\_\_\_\_

Quote# \_\_\_\_\_

Type/Quantity \_\_\_\_\_

## Listings

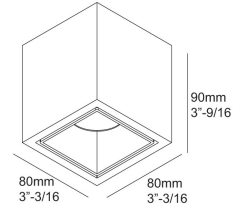
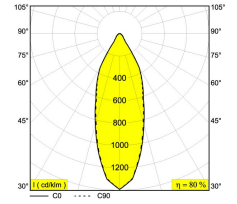


20/04/2022 10:10:12

# Specification Sheet

## BOXY L+ 92733 DIM1 6 251 67 811 922 ED1

[Weblink](#)



Available colors: ALU GREY-ALU GREY (6 251 67 811 922 ED1 A-A)  
 BLACK-BLACK (6 251 67 811 922 ED1 B-B)  
 BLACK-GOLD MATT (6 251 67 811 922 ED1 B-MMAT)  
 WHITE-WHITE (6 251 67 811 922 ED1 W-W)  
 BLACK-FLEMISH GOLD (6 251 67 811 922 ED1 B-FG)  
 BLACK-FLEMISH BRONZE (6 251 67 811 922 ED1 B-FBR)

LED 7,1W / CRI>90 / 2700K / 779lm  
 REFLECTOR FL-33°  
 INCL.DIMMABLE LED POWER SUPPLY 350mA-DC  
 DIMMING BY 0-10V CONTROL  
 For other CRI or KELVIN, contact factory

LED Technics: Light source: 779 lm // 7 W // 110 lm/W  
 Luminaire: 621 lm // 8 W // 76 lm/W

120-277V / 60Hz

Class 2 N.a.  
 Ada N.a.  
 Installation methods BACKPLATE  
 MUD KIT INSTALLATION

Weight: 1.3 LBS  
 Protection level: IP20 - suitable for damp locations  
 Minimum distance: n.a.

Remarks: For other voltages or dimming options, contact factory.

Accessories: BOXY HONEYCOMB  
 BOXY SOFTENING LENS  
 BOXY GLASS SBL

Requirements :  
 MUD KIT 2  
 COVERPLATE S 114

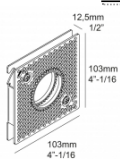
For detailed installation instructions, please consult the manual. [6\\_251\\_67\\_811\\_XXX\\_ED1\\_HAND.pdf](#)

**BOXY L+ 92733 DIM1**  
**6 251 67 811 922 ED1**

**Related references**

**MUD KITS**

[Weblink / Specsheet](#)

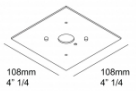


MUD KIT 2  
6 207 02 02

**Related references**

**COVER PLATES**

[Weblink / Specsheet](#)



COVERPLATE S 114  
6 204 99 114

**Related references**

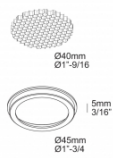
**LIGHT ALTERING DEVICES**

[Weblink / Specsheet](#)



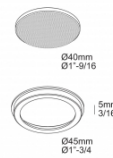
BOXY GLASS SBL  
251 70 03 05

[Weblink / Specsheet](#)



BOXY HONEYCOMB  
251 70 03 01

[Weblink / Specsheet](#)



BOXY SOFTENING LENS  
251 70 03 04

BOXY L+ 92733 DIM1  
6 251 67 811 922 ED1

Related project picture of product family:

