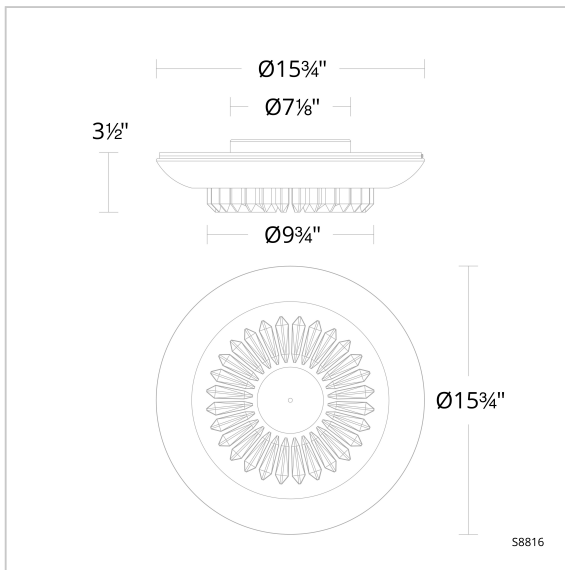


Bellaire

S8816



LINE DRAWING



DESCRIPTION

With chic allure, Bellaire is a ceiling luminaire both modern and timeless. A lustrous aged brass dish hiding LED light sources captures a circlet of flat, faceted Optic Crystal and diffuser of Radiance™ Crystal Dust, brought to sparkling life by the artistry of our master craftspeople. Playing with contrasts, this radiant light is truly entrenched in both the romance of a bygone era and today's contemporary elegance.

FEATURES

- Illuminated Optic Haze™ Quartz
- Radiance™ Crystal Dust diffuser
- 4CCT adjustability switch. Set from 3000K/3500K/4000K/5000K.
- Driver concealed within the fixture

CRYSTAL OPTIONS



Optic Haze
Quartz
(OH)

FINISH OPTIONS



Aged Brass
(-700)

SPECIFICATIONS

Light Source	LED
CRI	90
Dimming	ELV, Triac
Standards	ETL/cETL, Title 24

REPLACEMENT PARTS

RPL-GLA-S8816 - Replacement Crystal

Model	Finish	Crystal	Size	CCT	Weight	Voltage	Wattage	LED Lumens	Delivered Lumens
S8816	- 700	OH	16"	3000K/3500K/ 4000K/5000K	9.92lbs	120/277V	21W	1700	Up To 900

Example: S8816-700OH