



US JEWX 03
Design by Yonoh

Collection consisting of suspended lamps made of aluminium and recycled abs arch. Available in four versions. Built-in dimmable or not dimmable LED light source.

Typology: suspended

Ratings

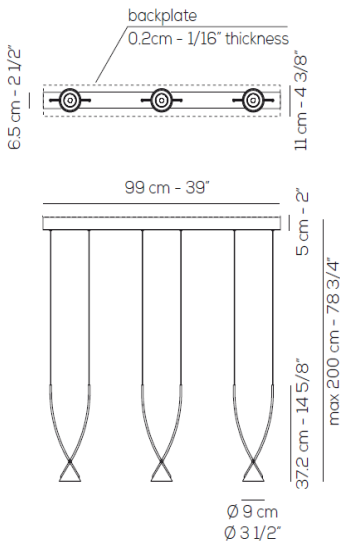
- Built in **LED** module
- CCT 3000 K
- optic ~35° beam
- Surface installation over holes
- Supply voltage ~100-120Vac
- Switch mode: on-off
- Aluminum body

Product code composition

JEWEL / DRIVER INCLUDED DIMMABLE

Type	Article	Colours / Finish	Source
US	JEWD 01	NE black / NE black GE greige / NE black** upon request**	LED 3X6.5W - optic ~ 35° beam 3000K*, 2700K dimmable

lb 10.36 ft³ 0.734



DRY LOCATION CRI>90

 2013 lm* 77 lm/W* 100-120Vac

example composition code US JEWD 03 NE NE LED

Available colors



NE/NE
Black/black

GE/NE
Greige/Black
Upon request

USJEWD 03 __ NE LED CUSTOMER _____ NOTES _____

NOTICE: Luminous flux for all built in built in LED luminaires is shown at source level.
Technical data could be subject to alteration without notice. Axo Light does not provide legal guarantee for the accuracy of this data sheet.