



**ULFLOAT**

Design by Mario Alessiani

Multifunctional mobile battery lamp with integrated led source, for indoor and outdoor. Aluminum and stainless steel structure, high efficiency PC diffusor. Dimmable 5 steps. 9 hours runtime with replaceable battery kit with at least 500 recharging cycles, at maximum efficiency.

Typology: TABLE LAMP

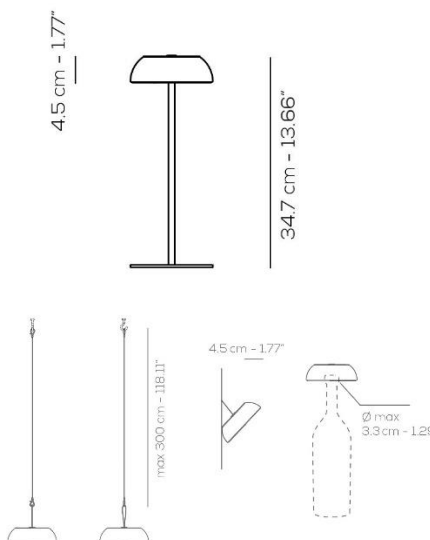
**Ratings**

- Built in **LED** module
- CCT 2700
- Wet location
- Dimmable 5 steps
- Aluminum and stainless steel body painted
- High efficiency PC diffusor
- Lithium battery (replaceable)
- 9 hours runtime

Lb 1,98 ft³247,20

FLOAT / table lamp / wall lamp / suspension lamp / for installation on bottles

Type	Article	Colours / Finish	Source
UL	FLOATX	BC white / BC white	LED 3.5W - diffused beam <b>2700K</b>
		BL blue / BC white	
		NE black / NE black	
		CG concrete green / CO concrete gray	
		MD mauve dust / BC white	



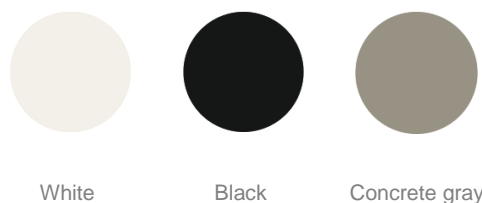
5 steps WET LOCATION CRI 80 Li-Ion battery 500 cycles 9 hours **LED** ~200 lm 57.14 lm/W  
 example composition code UL FLOATX BL BC LED

Available colours

COLOURS BODY



COLOURS TOP



ULFLOATX\_ \_ \_ LED

CUSTOMER \_\_\_\_\_

NOTES \_\_\_\_\_

NOTICE: Luminous flux (lm) and efficacy (lm/W) for all built in LED luminaires is based on nominal ratings of the LED sources. Technical data could be subject to alteration without notice. Axo Light does not provide legal guarantee for the accuracy of this data sheet.