

Vine Light floor black

1568038APP

SPECIFICATIONS



Design By

BJARKE INGELS GROUP

Collection

Design



Specifications

Delivered lumens	2639lm
Light output ratio	75lm/W
Power consumption	35W
Led type	31W Array*
CCT (Correlated Color Temperature)	3000K
CRI (Color Rendering Index)	>90
Life expectancy	50000Hrs
Control type	Dimmable (On Body)
Input Voltage	120V
Driver	N/A

Colors & Finishes

Black

Materials

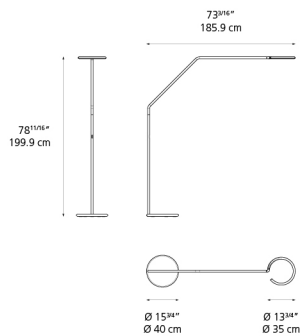
- Aluminum body

*Integrated light source

Features & Accessories

- The joints provides almost limitless rotation

Dimensions



Packaging

2 Boxes

1 x 76" x 26" x 7-3/16" / 18.52 lbs - 193 cm x 66 cm x 18 cm / 8.4 kg

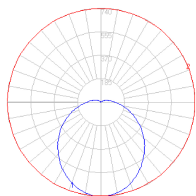
1 x 19-13/16" x 19-13/16" x 7" / 42.77 lbs - 50 cm x 50 cm x 17.5 cm / 19.4 kg

Light distribution

Direct

Luminaire weight

48.94 lbs / 22.2 kg



Red = Max Cd. Through Vertical plane

Blue = Max Cd. Through Horizontal plane

Warranty