



Linea

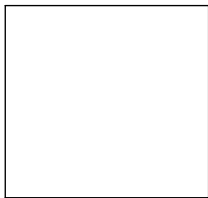


Tidal

PRODUCT DESCRIPTION

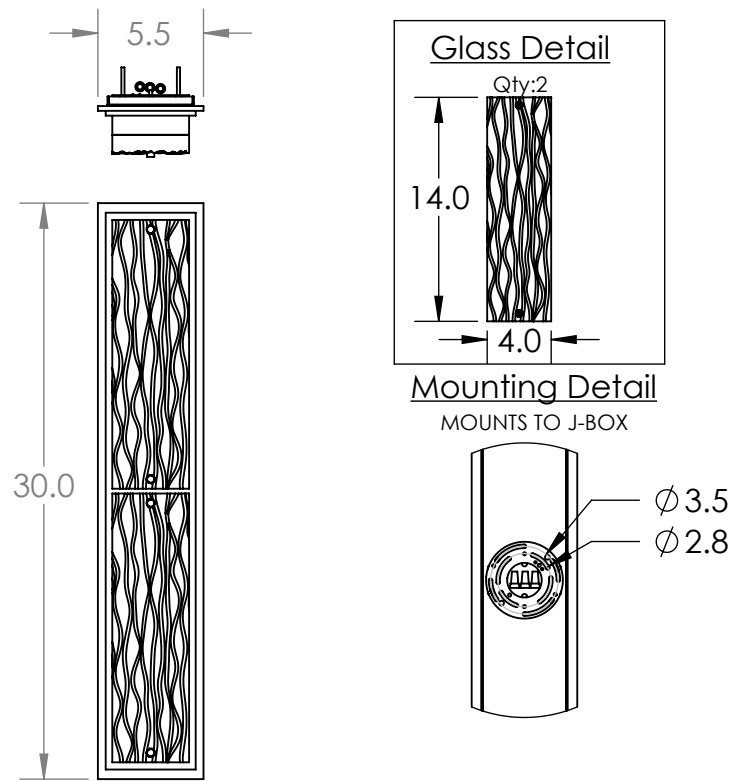
Luxuriously thick LED-illuminated artisan cast crystal glass provides a canvas for intriguing textures that beautifully reflect and refract light. Aluminum construction, marine grade pre-treatment and AAMA 2604 powder coat finishes ensure long lasting beauty in all climates. ADA compliant.

SCAN FOR MORE INFORMATION



GENERAL NOTES:

All dimensions are shown in inches unless otherwise stated.
 Visit studio.hammerton.com to read about our Lifetime Limited Warranty.
 This product may use mixed materials like steel and aluminum in its construction. Transparent finishes may vary between steel and aluminum.
 All Hammerton fixtures are handcrafted by artisans. Subtle imperfections reflect the mark of the artisan and should be expected in any handcrafted product. Dimensions may vary up to 7/8".
 © Copyright 2022. All rights in design, detail or invention of this drawing are reserved as the property of Hammerton. Any imitation or adaptation without written consent is strictly prohibited.
 Hammerton Inc. 217 Wright Brothers Dr. Salt Lake City, UT 84116 (801)973-8095 | studio.hammerton.com | info@hammerton.com



PRODUCT SPECIFICATION

Construction: Aluminum Body With Cast Glass

Finish Options: **AG TB SB**

Glass Options: Clear Cast Glass

Suspension Method: Wall Mount

Weight(lbs.): 18

UL Rating: Outdoor/Wet

Top Diffuser: Closed Metal

Bottom Diffuser: Clear Acrylic

Light Source: LED

Electrical Qty: 3

Wattage (Watts):13.5

Voltage (Volts): 120

Source Lumens: 1200

Dimming: Forward/Reverse Phase to 1%

CCT: 3000K

Driver Quantity & Location: None

CRI: 93+

Power Factor: >0.9