

Project:

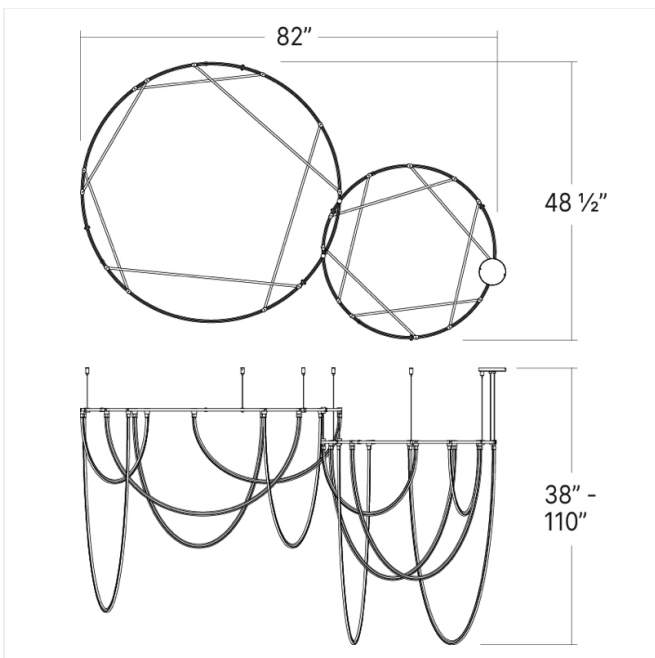
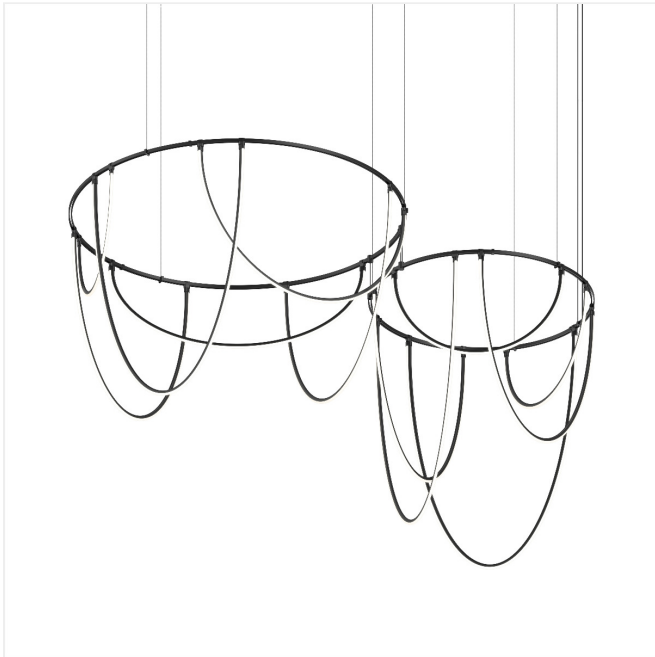
Suspenders 2-Bar Offset Ring w/Light Curve Luminares Spec Sheet

SKU: SLS4243-K

The Suspenders 2-Bar Offset Ring configuration features Light Curve Luminaires. This Suspenders configuration is available in a black or white finish. The rings measure 38" and 48" in diameter, respectively. This unique configuration provides functionality while serving as a decorative statement piece in any space.

Learn more: <https://sonnemanlight.com/suspenders-2-bar-offset-ring-w-light-curve-luminaires>

Type #:



Dimensions

Height:	14"
Width:	48.5"
Length:	82"
Canopy/Backplate/Base:	4.5
Hanging Details:	6' Adj. Cords/Cables
Canopy/Backplate/Base Height:	1

Electrical Specs

Bulb(s) Included?:	Yes
Bulb 1 Type:	24" Light Curve Luminaire w/12" Height
Bulb 2 Type:	24" Light Curve Luminaire w/24" Height
Bulb 3 Type:	24" Light Curve Luminaire w/36" Height
Bulb Quantity:	10
Input Voltage:	120VAC
Wattage:	249
Initial Lumens:	249
Delivered Lumens:	16414
Color Temperature:	3000K
CRI:	90
Power Supply Type:	Transformer
Power Supply Quantity:	1
Power Supply Location:	Remote
Dimming Type:	ELV

Installation

Installation:	Licensed electrician required, multi-step installation
Cord Length:	6' Adj. Cords/Cables
Minimum Hanging Height:	38"
Maximum Hanging Height:	110"

General Listings

Certification:	C-ETL-US
Color/Finish:	Satin Black (.25)