

PRODUCT FEATURES

- From the brand formerly known as Tech Lighting
- Creates a visual canopy and brings human scale to spaces with taller ceilings
- This item is made of natural brass. It is a living finish that will patina and warm with age which adds richness. If it gets an uneven patina or spots, a brass cleaner can restore the finish
- Includes (8) 6" and (16) 12" rigid stems in coordinating finish.
- Complementary wall sconce light and additional pendant sizes available
- Fully dimmable integrated LED lamp



LAMPING

Includes 82.4 watts, 3900 delivered lumens, 2700K LED module. Dimmable with most LED compatible ELV and TRIAC dimmers. Ships with (16) 12" and (8) 6" rigid stems in coordinating finish. 120V or 277V. Uplight only.

Nightshade Black



Nightshade Black

Nightshade Black
Alt View

Natural Brass

Natural Brass
Alt View

ORDERING INFORMATION

MDLS186	COLOR TEMP	FINISH	VOLTAGE
	27 2700K	NB NATURAL BRASS B NIGHTSHADE BLACK	120V

MDLS186 _____

JOB NAME _____

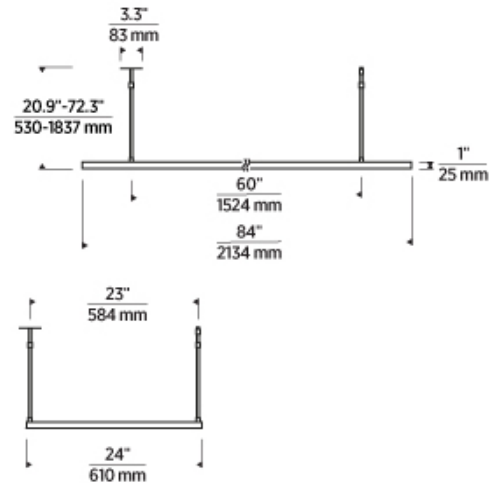
NOTES _____



STAGGER HALO 84 UPLIGHT LINEAR SUSPENSION VISUAL COMFORT & Co.

SPECIFICATIONS

PRIMARY MATERIAL	Aluminum or Brass
SHADE MATERIAL	Acrylic
NET WEIGHT	38 lbs
HEIGHT	1in
WIDTH	24in
LENGTH	84in
UP LIGHT / DOWN LIGHT / BOTH?	
WET LISTED	
DAMP LISTED	
DRY LISTED	
MIN. HANGING HEIGHT	4.3in
MAX HANGING HEIGHT	64.3in
TOTAL CORD LENGTH	
TOTAL STEM LENGTH	Up to 240in
STEM QTY	24
SLOPED CEILING ADAPTABLE?	No
GENERAL LISTING	ETL Listed
INCLUDES	



LAMPING SPECIFICATIONS

	LED LAMP	INTEGRATED LED	NON LED	NO LAMP
DELIVERED LUMENS		3900		
WATTS		82.4		
MAX WATTAGE PER BULB		82.4W		
		120V ELV, TRIAC		
CCT		2700K		
CRI		90 CRI		
LED LIFETIME		>50000		
L70				
AVERAGE BULB HOURS				
FIELD SERVICEABLE LED				
LAMP BASE		Integrated LED		
LAMP SHAPE		Integrated LED		
LAMP INCLUDED?		True		
WARRANTY**		5 Years		

* Dimming information available at www.techlighting.com/Downloads#dimming

** Visit techlighting.com for specific warranty limitations and details.

T20 / T24 / JA8 INFORMATION

	Integrated LED	Replacement LED Lamp	No Lamp *
This product can be used to comply with California Building Energy Efficiency Standards 2016 Title 24 Part 6 / JA8.	Yes		
This product can be used to comply with California Appliance Efficiency Standards 2016 Title 20 and may be shipped to and sold in California.			

* If a light fixture or component does not include a lamp or light source, it is the responsibility of the customer to select a lamp that meets the T24 and T20 requirements.

