

STAGGER SMALL FLOOR LAMP

VISUAL COMFORT & Co.

PRODUCT FEATURES

- Simple frame offers a symmetrical element to a multitude of spaces to create more visual texture and energy
- Built-in three-way dimming.
- This item is made of natural brass. It is a living finish that will patina and warm with age which adds richness. If it gets an uneven patina or spots, a brass cleaner can restore the finish
- Includes 6 feet of black cloth cord.
- Available in modern finish options

LAMPING

Includes 120-240 volt 10 watts, 324 delivered lumens, 90 CRI 2700K LED module. Built-in three way dimming. Includes 8 feet of black cloth cord.



Nightshade Black Three-Quarter View



Nightshade Black Three-Quarter View



Nightshade Black Side View



Natural Brass Three-Quarter View



Natural Brass Side View

ORDERING INFORMATION

MDFL297	COLOR TEMP	FINISH
	27 2700K	NB NATURAL BRASS B NIGHTSHADE BLACK N POLISHED NICKEL

MDFL297 _____

JOB NAME _____

NOTES _____

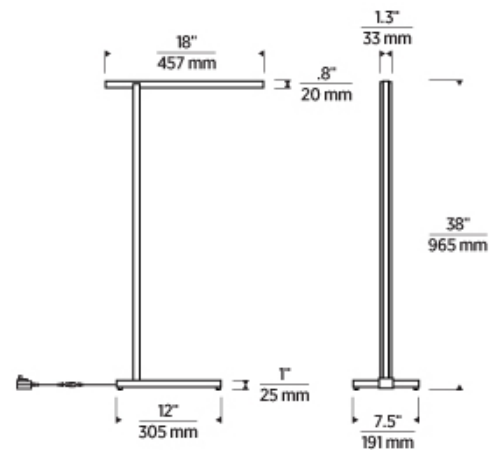


STAGGER SMALL FLOOR LAMP

VISUAL COMFORT & Co.

SPECIFICATIONS

PRIMARY MATERIAL	Aluminum or Brass
SHADE MATERIAL	Acrylic
NET WEIGHT	10.5 lbs
HEIGHT	38in
WIDTH	7.5in
LENGTH	18in
WET LISTED	
DAMP LISTED	
DRY LISTED	
GENERAL LISTING	ETL Listed
INCLUDES	



LAMPING SPECIFICATIONS

	LED LAMP	INTEGRATED LED	NON LED	NO LAMP
DELIVERED LUMENS		324		
WATTS		10		
MAX WATTAGE PER BULB		10W		
		120V-240V Integrated 3-Step Touch Dimmer		
CCT		2700K		
CRI		90 CRI		
LED LIFETIME		>50000		
AVERAGE BULB HOURS				
FIELD SERVICEABLE LED				
LAMP BASE		Integrated LED		
LAMP SHAPE		Integrated LED		
LAMP INCLUDED?		True		
WARRANTY**		5 Years		

* Dimming information available at www.techlighting.com/Downloads#dimming

** Visit techlighting.com for specific warranty limitations and details.

T20 / T24 / JA8 INFORMATION

	Integrated LED	Replacement LED Lamp	No Lamp *
This product can be used to comply with California Building Energy Efficiency Standards 2016 Title 24 Part 6 / JA8.	No		
This product can be used to comply with California Appliance Efficiency Standards 2016 Title 20 and may be shipped to and sold in California.			

* If a light fixture or component does not include a lamp or light source, it is the responsibility of the customer to select a lamp that meets the T24 and T20 requirements.

