

# STAGGER MEDIUM FLOOR LAMP

VISUAL COMFORT & Co.

## PRODUCT FEATURES

- Simple frame offers a symmetrical element to a multitude of spaces to create more visual texture and energy
- Built-in three-way dimming.
- This item is made of natural brass. It is a living finish that will patina and warm with age which adds richness. If it gets an uneven patina or spots, a brass cleaner can restore the finish
- Includes 6 feet of black cloth cord.
- Available in modern finish options

## LAMPING

Includes 120-240 volt 10 watts, 324 delivered lumens, 90 CRI 2700K LED module. Built-in three way dimming. Includes 8 feet of black cloth cord.



Natural Brass Three-Quarter View



Natural Brass Three-Quarter View



Natural Brass Side View



Nightshade Black Three-Quarter View



Nightshade Black Side View

## ORDERING INFORMATION

MDFL298	COLOR TEMP	FINISH
	27 2700K	NB NATURAL BRASS B NIGHTSHADE BLACK N POLISHED NICKEL

MDFL298 \_\_\_\_\_

JOB NAME \_\_\_\_\_

NOTES \_\_\_\_\_

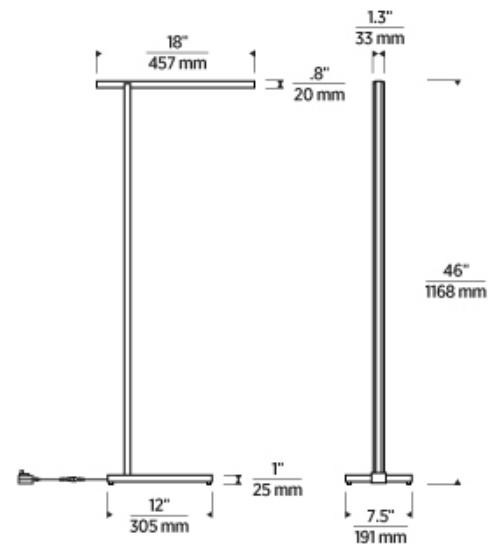


# STAGGER MEDIUM FLOOR LAMP

VISUAL COMFORT & Co.

## SPECIFICATIONS

PRIMARY MATERIAL	Aluminum or Brass
SHADE MATERIAL	Acrylic
NET WEIGHT	11.5 lbs
HEIGHT	46in
WIDTH	7.5in
LENGTH	18in
WET LISTED	
DAMP LISTED	
DRY LISTED	
GENERAL LISTING	ETL Listed
INCLUDES	



## LAMPING SPECIFICATIONS

	LED LAMP	INTEGRATED LED	NON LED	NO LAMP
DELIVERED LUMENS		324		
WATTS		10		
MAX WATTAGE PER BULB		10W		
		120V-240V Integrated 3-Step Touch Dimmer		
CCT		2700K		
CRI		90 CRI		
LED LIFETIME		>50000		
L70				
AVERAGE BULB HOURS				
FIELD SERVICEABLE LED				
LAMP BASE		Integrated LED		
LAMP SHAPE		Integrated LED		
LAMP INCLUDED?		True		
WARRANTY**		5 Years		

\* Dimming information available at [www.techlighting.com/Downloads#dimming](http://www.techlighting.com/Downloads#dimming)

\*\* Visit [techlighting.com](http://techlighting.com) for specific warranty limitations and details.

## T20 / T24 / JA8 INFORMATION

	Integrated LED	Replacement LED Lamp	No Lamp *
This product can be used to comply with California Building Energy Efficiency Standards 2016 Title 24 Part 6 / JA8.	No		
This product can be used to comply with California Appliance Efficiency Standards 2016 Title 20 and may be shipped to and sold in California.			

\* If a light fixture or component does not include a lamp or light source, it is the responsibility of the customer to select a lamp that meets the T24 and T20 requirements.

