

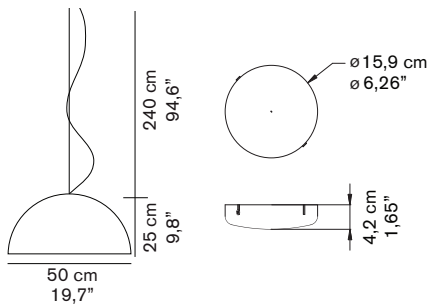


SONORA 411

Vico Magistretti
1976

Suspension lamp giving direct and diffused light, opaline blown Murano glass diffuser.

DIMENSIONS



MATERIALS


metal/blown glass

COLORS

opaline opaque

BULBS

2 x max 100 W - E26

 equipped without bulb


Note: lamp compatible with LED bulbs (according to the market availability and without changes to the standard product)

MARKS



FURTHER INFORMATION

 white rose

 transparent cable

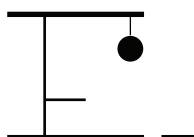
PACKAGING



dimensions 63x63x35 cm / 24,8"x24,8"x13,8"
volume 0,139 m³ / 4,90 ft³
weight 8 kg / 17,63 lb

TYPE

indoor - suspension lamp



PHOTOMETRIC CURVE