

SHUFFLE LARGE CHANDELIER

VISUAL COMFORT & CO.

PRODUCT FEATURES



LAMPING

Includes 50 watt, 1242 total delivered lumens, 90 CRI 2700K LED modules. Dimmable with most LED compatible ELV, TRIAC and 0-10V dimmers. Ships with 4-12" and 2-6" rigid stems. 120V-277V. Sloped ceiling compatible up to 18°.

Weathered Oak/Nightshade Black



Weathered
Oak/Nightshade
Black

Weathered
Oak/Nightshade
Black (Alt)

Weathered
Oak/Nightshade
Black (Alt 2)

Weathered
Oak/Nightshade
Black (Alt 3)

To view all available finish options, please visit techlighting.com

ORDERING INFORMATION

CDCHI73	COLOR TEMP	COLOR	FINISH
	27 2700K	WO WEATHERED OAK	NB NATURAL BRASS B NIGHTSHADE BLACK

CDCHI73 _____

JOB NAME _____

NOTES _____

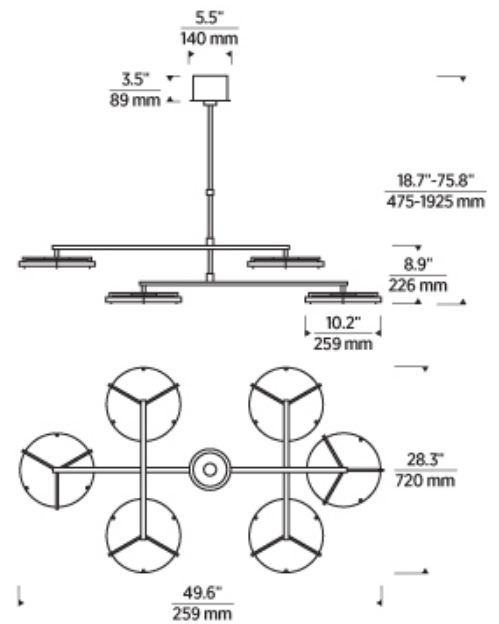


SHUFFLE LARGE CHANDELIER

VISUAL COMFORT & Co.

SPECIFICATIONS

PRIMARY MATERIAL	Aluminum or Brass
SHADE MATERIAL	Weathered Oak
NET WEIGHT	22 lbs
HEIGHT	8.9in
WIDTH	28.3in
LENGTH	49.6in
UP LIGHT / DOWN LIGHT / BOTH?	
WET LISTED	
DAMP LISTED	
DRY LISTED	
MIN. HANGING HEIGHT	18.7in
MAX HANGING HEIGHT	75.8in
TOTAL CORD LENGTH	
TOTAL STEM LENGTH	Up to 60in
STEM QTY	6
SLOPED CEILING ADAPTABLE?	Yes 18° Max
GENERAL LISTING	ETL Listed
INCLUDES	



LAMPING SPECIFICATIONS

	LED LAMP	INTEGRATED LED	NON LED	NO LAMP
DELIVERED LUMENS		1242		
WATTS		50		
MAX WATTAGE PER BULB		50W		
		Universal 120V-277V 0-10, ELV, TRIAC		
CCT		2700K		
CRI		90 CRI		
LED LIFETIME		>50000		
L70				
AVERAGE BULB HOURS				
FIELD SERVICEABLE LED				
LAMP BASE		Integrated LED		
LAMP SHAPE		Integrated LED		
LAMP INCLUDED?		True		
WARRANTY**		5 Years		

* Dimming information available at www.techlighting.com/Downloads#dimming

** Visit techlighting.com for specific warranty limitations and details.

T20 / T24 / JA8 INFORMATION

	Integrated LED	Replacement LED Lamp	No Lamp *
This product can be used to comply with California Building Energy Efficiency Standards 2016 Title 24 Part 6 / JA8.	Yes		
This product can be used to comply with California Appliance Efficiency Standards 2016 Title 20 and may be shipped to and sold in California.			

* If a light fixture or component does not include a lamp or light source, it is the responsibility of the customer to select a lamp that meets the T24 and T20 requirements.

