

SANCHI LARGE TWO TIER CHANDELIER

VISUAL COMFORT & Co.

PRODUCT FEATURES

- Hand-hammered metalwork that creates a unique look and feel
- Ships with (4) 12" and (2) 6" rigid stems in coordinating finish
- This item is made of natural brass. It is a living finish that will patina and warm with age which adds richness. If it gets an uneven patina or spots, a brass cleaner can restore the finish
- Modern finishes available
- Protected by a 5 year warranty

LAMPING

Includes 25.8 watts, 1505 total delivered lumens, 2700K LED modules. Dimmable with most LED compatible ELV, Triac and 0-10V dimmers. Ships with (4) 12" and (2) 6" rigid stems in coordinating finish. 120V-277V. Sloped ceiling compatible up to 22.5°.



Polished Antique Brass



Polished Antique Brass

Aged Iron

ORDERING INFORMATION

SLCH330	COLOR TEMP	FINISH
	27 2700K	AI AGED IRON PAB POLISHED ANTIQUE BRASS

SLCH330 _____

JOB NAME _____

NOTES _____

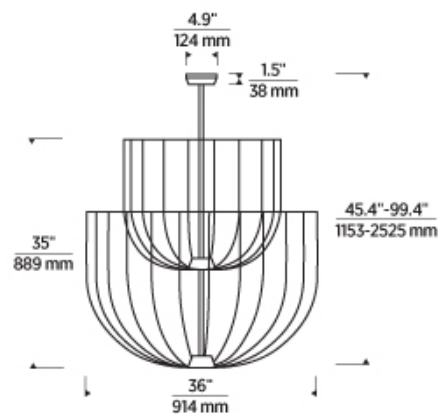


SANCHI LARGE TWO TIER CHANDELIER

VISUAL COMFORT & Co.

SPECIFICATIONS

PRIMARY MATERIAL	Steel Or Brass
SHADE MATERIAL	Steel Or Brass
NET WEIGHT	55 lbs
HEIGHT	35in
WIDTH	36in
LENGTH	36in
UP LIGHT / DOWN LIGHT / BOTH?	
WET LISTED	
DAMP LISTED	
DRY LISTED	
MIN. HANGING HEIGHT	45.4in
MAX HANGING HEIGHT	99.4in
TOTAL CORD LENGTH	
TOTAL STEM LENGTH	Up to 60in
STEM QTY	6
SLOPED CEILING ADAPTABLE?	Yes 22.5° Max
GENERAL LISTING	ETL Listed
INCLUDES	



LAMPING SPECIFICATIONS

	LED LAMP	INTEGRATED LED	NON LED	NO LAMP
DELIVERED LUMENS		1505		
WATTS		25.8		
MAX WATTAGE PER BULB		25.8W		
		Universal 120V-277V 0-10, ELV, TRIAC		
CCT		2700K		
CRI		90 CRI		
LED LIFETIME		>50000		
L70				
AVERAGE BULB HOURS				
FIELD SERVICEABLE LED				
LAMP BASE		Integrated LED		
LAMP SHAPE		Integrated LED		
LAMP INCLUDED?		True		
WARRANTY**		5 Years		

* Dimming information available at www.techlighting.com/Downloads#dimming

** Visit techlighting.com for specific warranty limitations and details.

T20 / T24 / JA8 INFORMATION

	Integrated LED	Replacement LED Lamp	No Lamp *
This product can be used to comply with California Building Energy Efficiency Standards 2016 Title 24 Part 6 / JA8.	Yes		
This product can be used to comply with California Appliance Efficiency Standards 2016 Title 20 and may be shipped to and sold in California.			

* If a light fixture or component does not include a lamp or light source, it is the responsibility of the customer to select a lamp that meets the T24 and T20 requirements.

