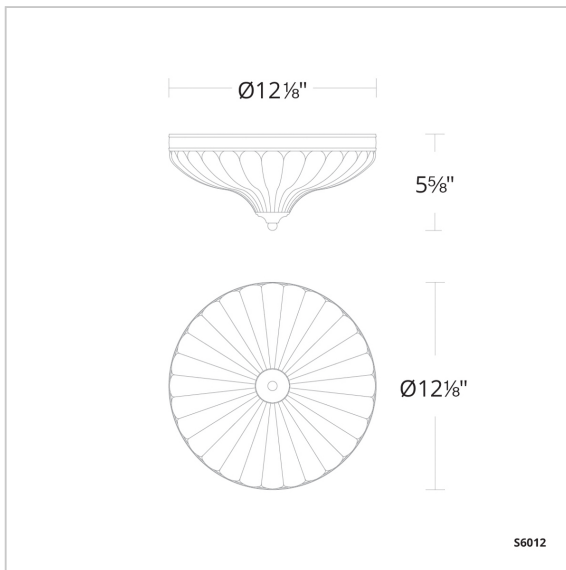


# Roma

S6012



## LINE DRAWING



## DESCRIPTION

With attention to detail indicative of true luxury, Roma marries sophistication in classic Italianate form and technological advancement. A classic European Optic Crystal shade is intricately cut with double optics and enhanced by primary optics developed by Schonbek, intensifying the fire exhibited for unparalleled delivery.

## FEATURES

- Built in color temperature adjustability. Switch from 3000K/3500K/4000K. Switch may be installed in junction box.
- Can be mounted on ceiling or wall in all orientations

## CRYSTAL OPTIONS



Optic Crystal  
(O)

## FINISH OPTIONS



Aged Brass  
(-700)



Polished  
Chrome  
(-702)



Antique  
Nickel  
(-704)

## SPECIFICATIONS

|                     |                    |
|---------------------|--------------------|
| <b>Light Source</b> | LED                |
| <b>CRI</b>          | 90                 |
| <b>Dimming</b>      | ELV, Triac         |
| <b>Standards</b>    | ETL/cETL, Title 24 |

## REPLACEMENT PARTS

RPL-GLA-6012 - Replacement Glass

| Model | Finish               | Crystal | Size | CCT                   | Weight  | Voltage | Wattage | LED Lumens | Delivered Lumens |
|-------|----------------------|---------|------|-----------------------|---------|---------|---------|------------|------------------|
| S6012 | - 700 - 702<br>- 704 | O       | 12"  | 3000K/3500K/<br>4000K | 10.3lbs | 120V    | 19W     | 2400       | Up To 2000       |

Example: S6012-7000