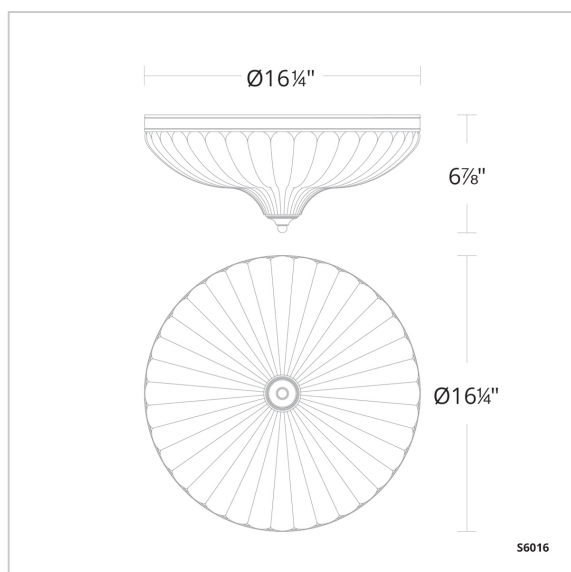


# Roma

## S6016



### LINE DRAWING



### DESCRIPTION

With attention to detail indicative of true luxury, Roma marries sophistication in classic Italianate form and technological advancement. A classic European Optic Crystal shade is intricately cut with double optics and enhanced by primary optics developed by Schonbek, intensifying the fire exhibited for unparalleled delivery.

### FEATURES

- Built in color temperature adjustability. Switch from 3000K/3500K/4000K. Switch may be installed in junction box.
- Can be mounted on ceiling or wall in all orientations

### CRYSTAL OPTIONS



Optic Crystal  
(O)

### FINISH OPTIONS



Aged Brass  
(-700)



Polished  
Chrome  
(-702)



Antique  
Nickel  
(-704)

### SPECIFICATIONS

<b>Light Source</b>	LED
<b>CRI</b>	90
<b>Dimming</b>	ELV, Triac
<b>Standards</b>	ETL/cETL, Title 24

### REPLACEMENT PARTS

RPL-GLA-6016 - Replacement Glass

Model	Finish	Crystal	Size	CCT	Weight	Voltage	Wattage	LED Lumens	Delivered Lumens
S6016	- 700 - 702 - 704	O	16"	3000K/3500K/ 4000K	19.6lbs	120V	27W	3600	Up To 3200

Example: S6016-7000