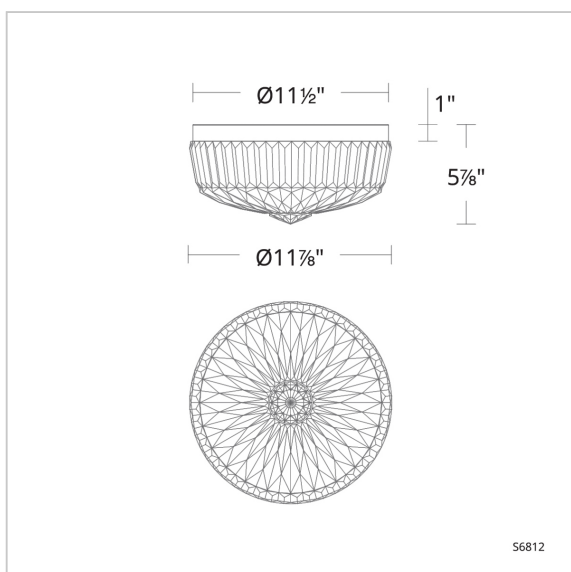


# Regina

## S6812



### LINE DRAWING



### DESCRIPTION

A dazzling rendition of a classic form, Regina dispenses astounding illumination from integrated LEDs refracted with intermediary optics to generate millions of sparkles.

### FEATURES

- Built in color temperature adjustability. Switch from 3000K/3500K/4000K. Switch may be installed in junction box.
- Decorative diamond texture dome shape diffuser is included to be installed to customer preference.
- Can be mounted on ceiling or wall in all orientations
- Driver concealed within the fixture

### CRYSTAL OPTIONS



Heritage  
Handcut Crystal  
(H)

### FINISH OPTIONS



Polished  
Nickel  
(-701)

### SPECIFICATIONS

<b>Light Source</b>	LED
<b>CRI</b>	90
<b>Dimming</b>	ELV, Triac
<b>Standards</b>	ETL/cETL, Title 24

### REPLACEMENT PARTS

RPL-GLA-6812-INNER - Inner Glass Shade  
RPL-GLA-6812 - Crystal Glass

Model	Finish	Crystal	Size	CCT	Weight	Voltage	Wattage	LED Lumens	Delivered Lumens
S6812	- 701	H	12"	3000K/3500K/ 4000K	15.2lbs	120V-277V	31W	3400	Up To 2389

Example: S6812-701H