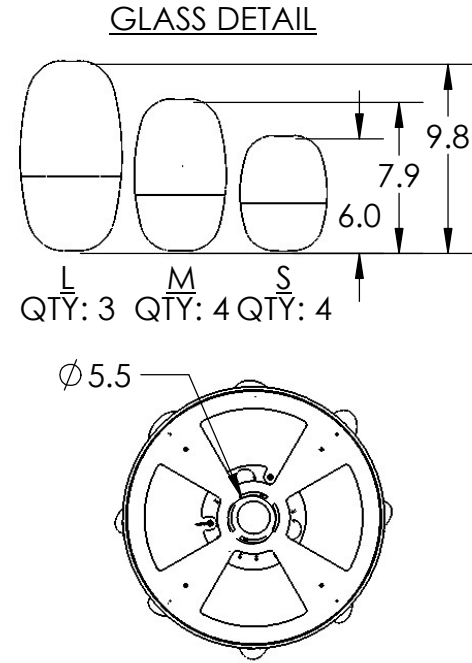
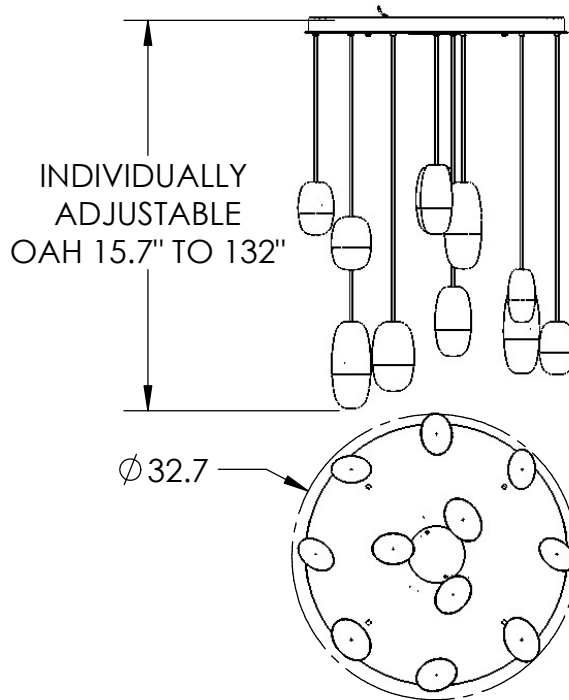


All dimensions are shown in inches unless otherwise stated.



PRODUCT DESCRIPTION

A versatile lighting solution ideal for a wide range of contemporary and modern spaces, this round multi-port design features 11 Pebble pendants suspended by a round canopy. Offered in 2,700k and 3,000K CCT and a selection of finishes.

Mounting Method: Ceiling Mount

PRODUCT SPECIFICATION

Construction: Aluminum Body, Cast Glass, and Braided Cord

Finish Options: **BB CS FB GB GP MB BS NB**

Glass Options: Clear Cast Glass

Suspension Method: Ceiling Mount

Weight (lbs.): 85lbs

UL Rating: Indoor/Dry

Top Diffuser: Closed Metal

Bottom Diffuser: Closed Glass

Light Source: LED

Electrical Qty: 11

Wattage (Watts): 57 W

Voltage (Volts): Update

Source Lumens: 4995

Dimming: Forward/Reverse Phase to 1%

CCT: 2700K or 3000K

Driver Quantity & Location: 3 in Canopy

CRI: 93+

Power Factor: >0.9

SCAN FOR MORE INFORMATION



Notes:

GENERAL NOTES:

Visit studio.hammerton.com to read about our Lifetime Limited Warranty.

This product may use mixed materials like steel and aluminum in its construction. Transparent finishes may vary between steel and aluminum.

All Hammerton fixtures are handcrafted by artisans. Subtle imperfections reflect the mark of the artisan and should be expected in any handcrafted product. Dimensions may vary up to 7/8".

Rev (A) 1/13/2022