

# OCTAVIA LARGE LINEAR CHANDELIER

VISUAL COMFORT & CO.

## PRODUCT FEATURES

- Organically curved metal shade with a crystal diffuser in the center
- Ships with (8) 12" and (4) 6" rigid stems in coordinating finish.
- Fully dimmable integrated LED lamp
- This item is made of natural brass. It is a living finish that will patina and warm with age which adds richness. If it gets an uneven patina or spots, a brass cleaner can restore the finish
- Modern finishes available



## LAMPING

Includes 11.4 watt, 456 total delivered lumens, 90 CRI 2700K LED modules. Dimmable with most LED compatible ELV, TRIAC and 0-10V dimmers. Ships with 4-12" and 2-6" rigid stems. 120V-277V. Sloped ceiling compatible 22.5°.

Blackened Bronze / Bright Worn Brass



Blackened Bronze /  
Bright Worn Brass

## ORDERING INFORMATION

AKLS336	COLOR TEMP	FINISH
	27 2700K	BDZ/BWB BLACKENED BRONZE/BRIGHT WORN BRASS

AKLS336 \_\_\_\_\_

JOB NAME \_\_\_\_\_

NOTES \_\_\_\_\_

\_\_\_\_\_

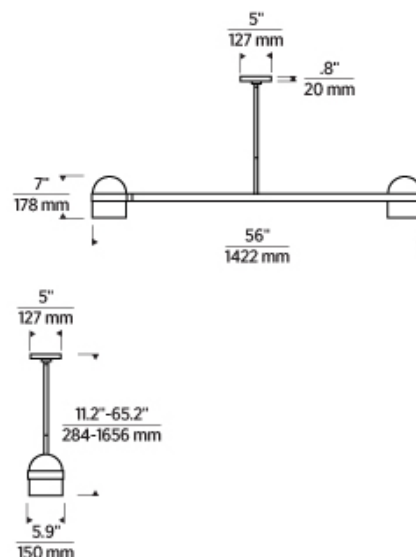


# OCTAVIA LARGE LINEAR CHANDELIER

VISUAL COMFORT & Co.

## SPECIFICATIONS

PRIMARY MATERIAL	Brass
SHADE MATERIAL	Brass
NET WEIGHT	12.5 lbs
HEIGHT	7in
WIDTH	5.9in
LENGTH	56in
UP LIGHT / DOWN LIGHT / BOTH?	
WET LISTED	
DAMP LISTED	
DRY LISTED	
MIN. HANGING HEIGHT	11.2in
MAX HANGING HEIGHT	65.2in
TOTAL CORD LENGTH	
TOTAL STEM LENGTH	Up to 60in
STEM QTY	6
SLOPED CEILING ADAPTABLE?	Yes 22.5° Max
GENERAL LISTING	ETL Listed
INCLUDES	



## LAMPING SPECIFICATIONS

	LED LAMP	INTEGRATED LED	NON LED	NO LAMP
DELIVERED LUMENS		456		
WATTS		11.4		
MAX WATTAGE PER BULB		11.4W		
		Universal 120V-277V 0-10, ELV, TRIAC		
CCT		2700K		
CRI		90 CRI		
LED LIFETIME		>50000		
L70				
AVERAGE BULB HOURS				
FIELD SERVICEABLE LED				
LAMP BASE		Integrated LED		
LAMP SHAPE		Integrated LED		
LAMP INCLUDED?		True		
WARRANTY**		5 Years		

\* Dimming information available at [www.techlighting.com/Downloads#dimming](http://www.techlighting.com/Downloads#dimming)

\*\* Visit [techlighting.com](http://techlighting.com) for specific warranty limitations and details.

## T20 / T24 / JA8 INFORMATION

	Integrated LED	Replacement LED Lamp	No Lamp *
This product can be used to comply with California Building Energy Efficiency Standards 2016 Title 24 Part 6 / JA8.	Yes		
This product can be used to comply with California Appliance Efficiency Standards 2016 Title 20 and may be shipped to and sold in California.			

\* If a light fixture or component does not include a lamp or light source, it is the responsibility of the customer to select a lamp that meets the T24 and T20 requirements.

