

BUSTER + PUNCH

LONDON



[range. **CUSTOM ELECTRICITY.**]

BUSTER + PUNCH

LONDON

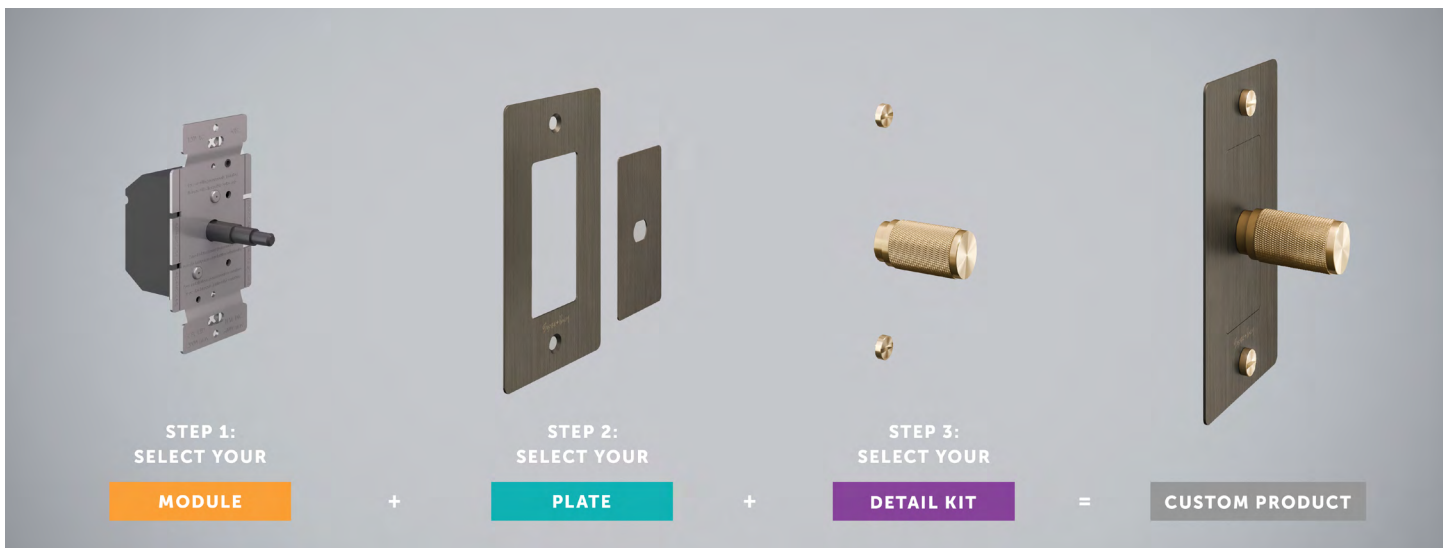
[product.

AMERICAN CUSTOM ELECTRICITY.]

Buster + Punch's Electricity collection is a one-stop solution that effortlessly ties together entire spaces, homes and contract interiors. The units feature a flat plate and are crowned with our trademark coin screws and diamond-cut knurled knobs and toggles – for unrivalled tactility.

Select from complete solid metal fixtures in white, steel, brass, smoked bronze and black with additional detail kits for customisation. The range is optimised, fully engineered and code approved for American residential and contract applications.

[how. **CREATE YOUR OWN CUSTOM SWITCH, DIMMER OR MODULE DESIGNS.**]



CONTENTS

ELECTRICITY / 1G-4G PLATE / METAL / WITH LOGO	3
ELECTRICITY / 1G-4G PLATE / METAL / WITHOUT LOGO	8
ELECTRICITY / 1G-4G PLATE / POLYCARB	13
SWITCH MODULES	18
DIMMER MODULES	19
SOCKET MODULES	20
DETAL KITS	21
FAQ	22

EXAMPLE



MODULE

[module. **2 X TOGGLE.**]
[module. **DIMMER.**]
[module. **OUTLET.**]

PLATE

[plate. **4G SMOKED BRONZE.**]

DETAIL KIT

[detail kit. **2 X TOGGLE / BRASS.**]
[detail kit. **1 X DIMMER / BRASS.**]
[detail kit. **1 X OUTLET / BRASS.**]

BUSTER+PUNCH

LONDON

[product.]

ELECTRICITY / 1G-4G PLATE / METAL / WITH LOGO

[with. **INFILLS.**]

[detail. **COIN SCREW.**]

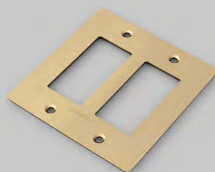
[born. **LONDON.**]

[region. **NORTH AMERICA.**]

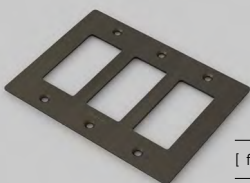
Decorative cover plate sets in a variety of quality finishes, complete with flush fitting infills. Designed to be completed with range of module inserts to suit a broad spectrum of requirements for lighting control, power supply and device charging. Always finish with our signature details kit & coin screws.



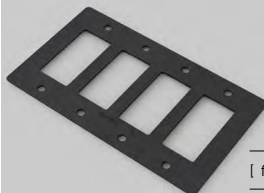
[finish. **WHITE.**]



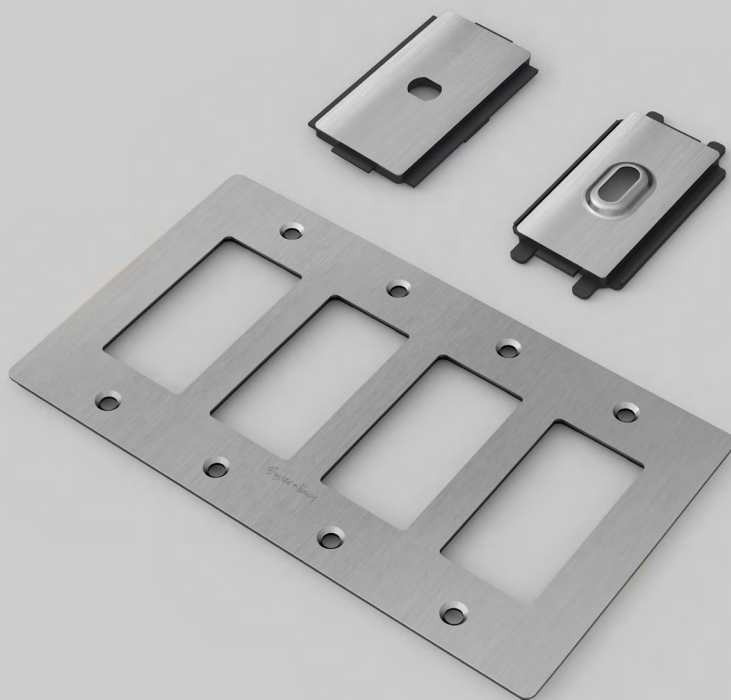
[finish. **BRASS / .**]



[finish. **SMOKED BRONZE.**]



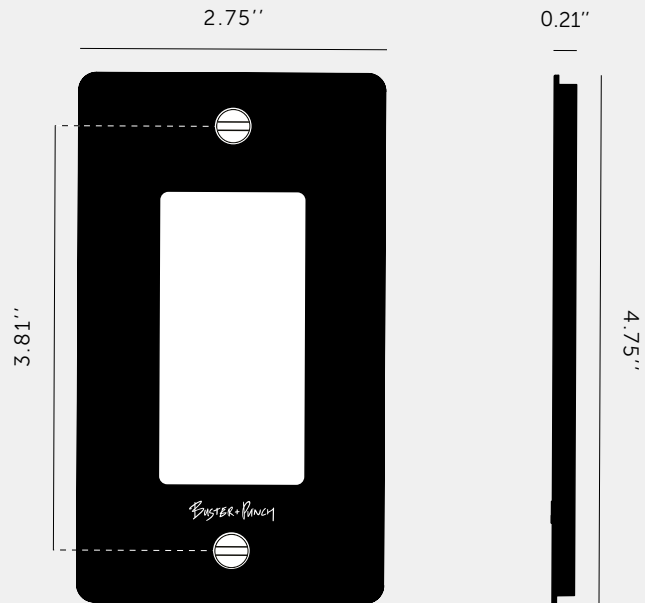
[finish. **BLACK.**]



[finish. **STEEL.**]

[type. **1G PLATE / METAL / WITH LOGO.**]

[info. **MEASUREMENTS.**]



[info. **SPECIFICATIONS.**]

Our Metal Electricity range has solid stainless steel plates, in our signature white, steel, brass, smoked bronze and black finishes.

Style: 1G metal plate + infills.

For use with class 1 modules only / Must be grounded.






Recommended Back Box:

Standard flush mounted 1G back box. See dimensions of chosen module(s) for required back box depth.

[info. **FINISH & SKU NUMBERS.**]

[finish.]

[US.]

 White	NPL-023061
 Steel	NPL-07292
 Brass	NPL-05289
 Smoked Bronze	NPL-09291
 Black	NPL-053060

[info. **CARE INSTRUCTIONS.**]

Wipe with lint free cloth with no loose hairs, avoid using any chemicals. All finishes are prone to aging.

[info. **CERTIFICATION.**]

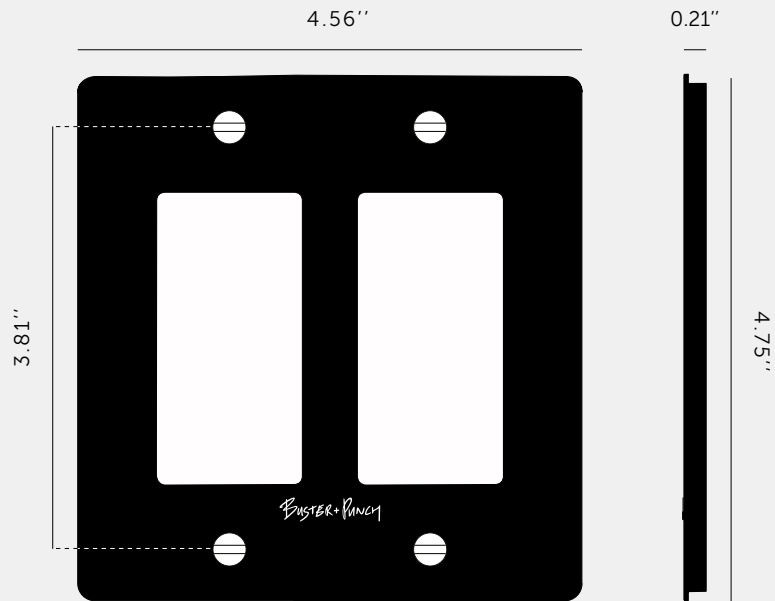
Plates: Underwriters Laboratories cULus listed for use throughout North America: E507052.

[please. **NOTE.**]

DISCLAIMER: Always consult a trade professional when installing this plate. Buster + Punch is not responsible for the usage or feasibility of installation requirements. This product is not suitable for lint free or wet environments.

[type. **2G PLATE / METAL / WITH LOGO.**]

[info. **MEASUREMENTS.**]



[info. **SPECIFICATIONS.**]

Our Metal Electricity range has solid stainless steel plates, in our signature white, steel, brass, smoked bronze and black finishes.

Style: 2G metal plate + infills.

For use with class 1 modules only / Must be grounded.

Recommended back box:

Standard flush mounted 2G back box. See dimensions of chosen module(s) for required back box depth.

[info. **FINISH & SKU NUMBERS.**]

[finish.]

[US.]

White	NPL-143064
Steel	NPL-07297
Brass	NPL-05294
Smoked Bronze	NPL-09296
Black	NPL-023063

[info. **CARE INSTRUCTIONS.**]

Wipe with lint free cloth with no loose hairs, avoid using any chemicals. All finishes are prone to aging.

[info. **CERTIFICATION.**]

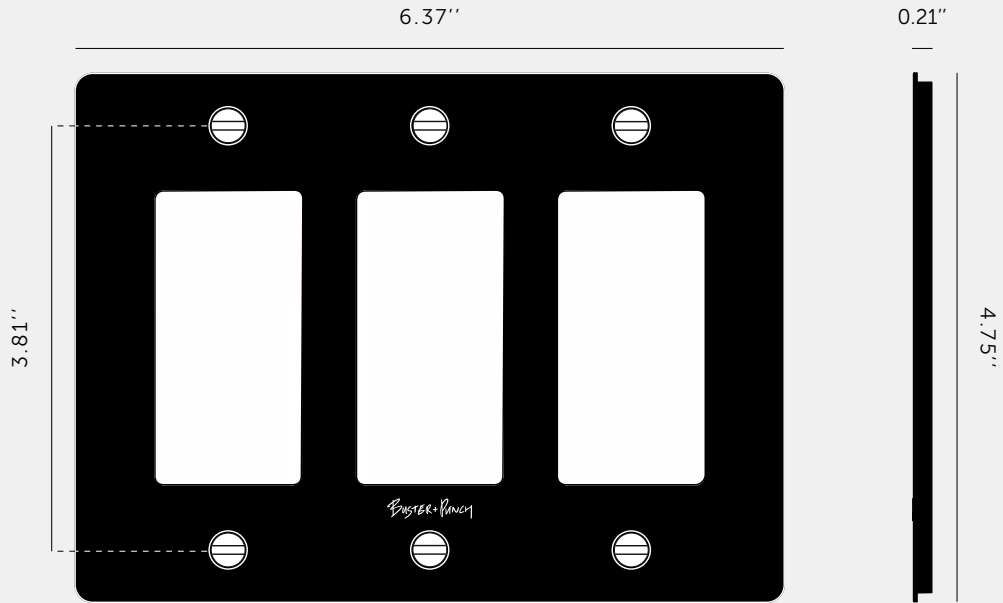
Plates: Underwriters Laboratories cULus listed for use throughout North America: E507052.

[please. **NOTE.**]

DISCLAIMER: Always consult a trade professional when installing this plate. Buster + Punch is not responsible for the usage or feasibility of installation requirements. This product is not suitable for lint free or wet environments.

[type. **3G PLATE / METAL / WITH LOGO.**]

[info. **MEASUREMENTS.**]



[info. **SPECIFICATIONS.**]

Our Metal Electricity range has solid stainless steel plates, in our signature white, steel, brass, smoked bronze and black finishes.

Style: 3G metal plate + infills.

For use with class 1 modules only / Must be grounded

Recommended back box:

Standard flush mounted 3G back box. See dimensions of chosen module(s) for required back box depth.

[info. **FINISH & SKU NUMBERS.**]

[finish.]

[US.]

White	NPL-143067
Steel	NPL-07302
Brass	NPL-05299
Smoked Bronze	NPL-09301
Black	NPL-023066

[info. **CARE INSTRUCTIONS.**]

Wipe with lint free cloth with no loose hairs, avoid using any chemicals. All finishes are prone to aging.

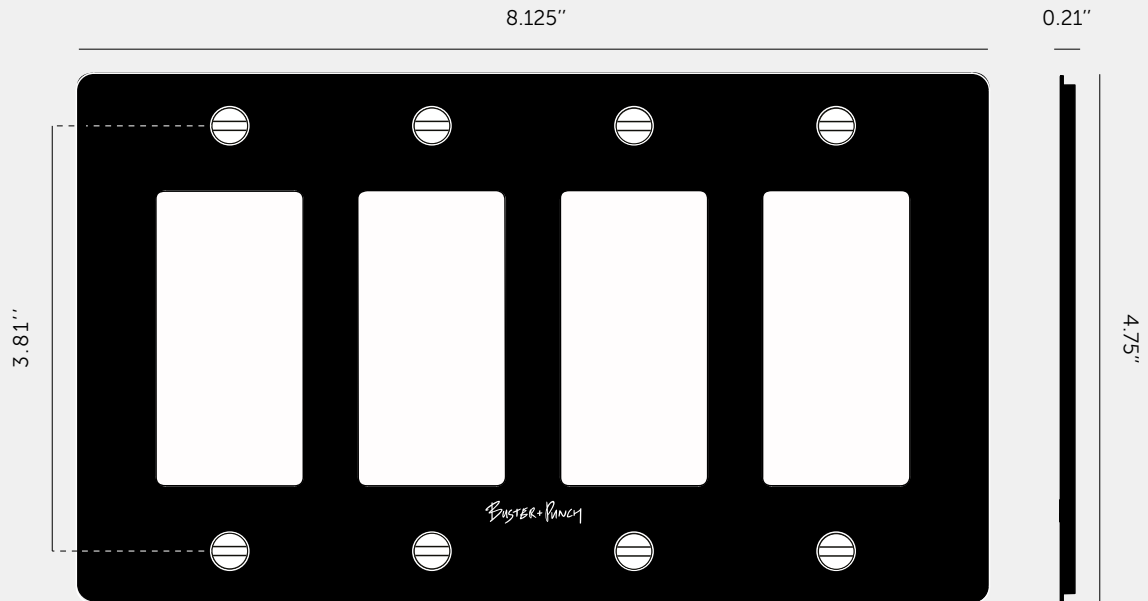
[info. **CERTIFICATION.**]

Plates: Underwriters Laboratories cULus listed for use throughout North America: E507052.

[please. **NOTE.**]

DISCLAIMER: Always consult a trade professional when installing this plate. Buster + Punch is not responsible for the usage or feasibility of installation requirements. This product is not suitable for lint free or wet environments.

[type. **4G PLATE / METAL / WITH LOGO.**]
 [info. **MEASUREMENTS.**]



[info. **SPECIFICATIONS.**]

Our Metal Electricity range has solid stainless steel plates, in our signature white, steel, brass, smoked bronze and black finishes.

Style: 4G metal plate + infills.
 For use with class 1 modules only / Must be grounded.

Recommended back box:
 Standard flush mounted 4G back box. See dimensions of chosen module(s) for required back box depth.

[info. **FINISH & SKU NUMBERS.**]

[finish.]	[US.]
● White	NPL-143070
● Steel	NPL-07307
● Brass	NPL-05304
● Smoked Bronze	NPL-09306
● Black	NPL-023069

[info. **CARE INSTRUCTIONS.**]

Wipe with lint free cloth with no loose hairs, avoid using any chemicals. All finishes are prone to aging.

[info. **CERTIFICATION.**]

Plates: Underwriters Laboratories cULus listed for use throughout North America: E507052.

[please. **NOTE.**]

DISCLAIMER: Always consult a trade professional when installing this plate. Buster + Punch is not responsible for the usage or feasibility of installation requirements. This product is not suitable for lint free or wet environments.

[product.]

ELECTRICITY / 1G-4G PLATE / METAL / WITHOUT LOGO

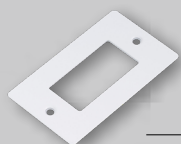
[with. **INFILLS.**]

[detail. **COIN SCREW.**]

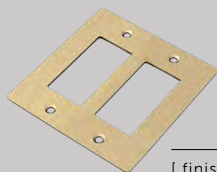
[born. **LONDON.**]

[region. **NORTH AMERICA.**]

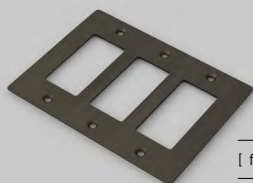
Decorative cover plate sets in a variety of quality finishes, complete with flush fitting infills. Designed to be completed with range of module inserts to suit a broad spectrum of requirements for lighting control, power supply and device charging. Always finish with our signature details kit & coin screws.



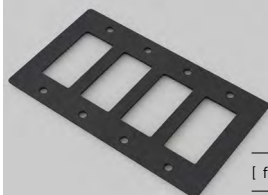
[finish. **WHITE / WITHOUT LOGO.**]



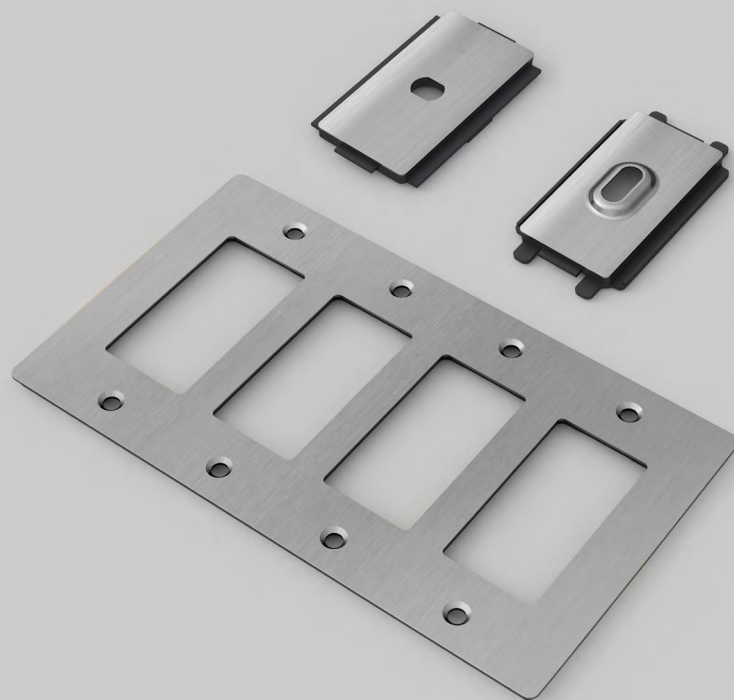
[finish. **BRASS / WITHOUT LOGO.**]



[finish. **SMOKED BRONZE.**]



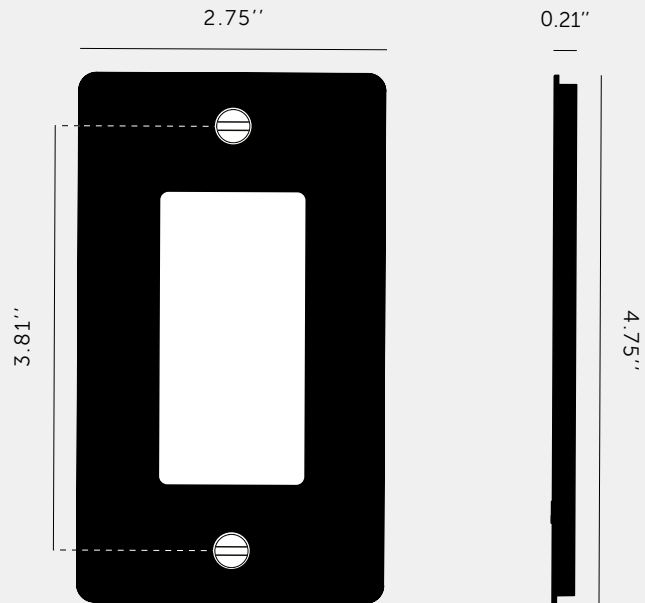
[finish. **BLACK.**]



[finish. **STEEL / WITHOUT LOGO.**]

[type. **1G PLATE / METAL / WITHOUT LOGO.**]

[info. **MEASUREMENTS.**]



[info. **SPECIFICATIONS.**]

Our Metal Electricity range has solid stainless steel plates, in our signature white, steel, brass, smoked bronze and black finishes.

Style: 1G metal plate + infills.

For use with class 1 modules only / Must be grounded.






Recommended Back Box:

Standard flush mounted 1G back box. See dimensions of chosen module(s) for required back box depth.

[info. **FINISH & SKU NUMBERS.**]

[finish.]

[US.]

 White	NPL-143581
 Steel	NPL-073580
 Brass	NPL-053578
 Smoked Bronze	NPL-093579
 Black	NPL-023577

[info. **CARE INSTRUCTIONS.**]

Wipe with lint free cloth with no loose hairs, avoid using any chemicals. All finishes are prone to aging.

[info. **CERTIFICATION.**]

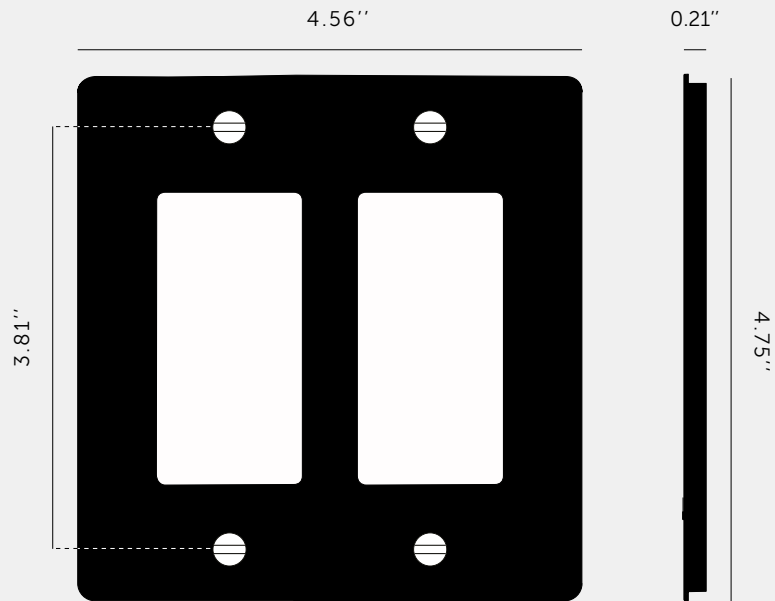
Plates: Underwriters Laboratories cULus listed for use throughout North America: E507052.

[please. **NOTE.**]

DISCLAIMER: Always consult a trade professional when installing this plate. Buster + Punch is not responsible for the usage or feasibility of installation requirements. This product is not suitable for lint free or wet environments.

[type. **2G PLATE / METAL / WITHOUT LOGO.**]

[info. **MEASUREMENTS.**]



[info. **SPECIFICATIONS.**]

Our Metal Electricity range has solid stainless steel plates, in our signature white, steel, brass, smoked bronze and black finishes.

Style: 2G metal plate + infills.

For use with class 1 modules only / Must be grounded.






Recommended back box:

Standard flush mounted 2G back box. See dimensions of chosen module(s) for required back box depth.

[info. **FINISH & SKU NUMBERS.**]

[finish.]

[US.]

 White	NPL-143586
 Steel	NPL-073585
 Brass	NPL-053583
 Smoked Bronze	NPL-093584
 Black	NPL-023582

[info. **CARE INSTRUCTIONS.**]

Wipe with lint free cloth with no loose hairs, avoid using any chemicals. All finishes are prone to aging.

[info. **CERTIFICATION.**]

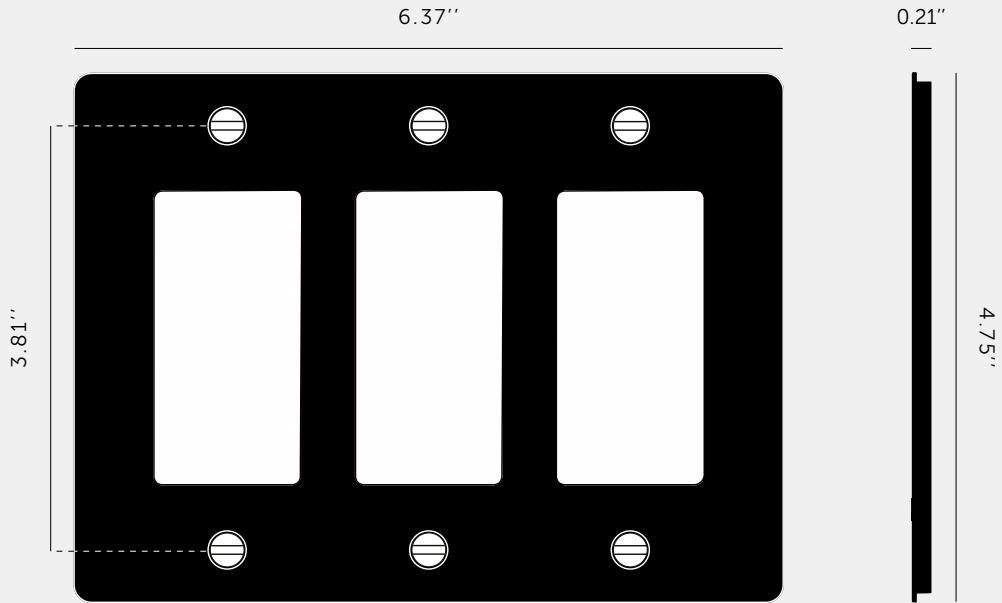
Plates: Underwriters Laboratories cULus listed for use throughout North America: E507052.

[please. **NOTE.**]

DISCLAIMER: Always consult a trade professional when installing this plate. Buster + Punch is not responsible for the usage or feasibility of installation requirements. This product is not suitable for lint free or wet environments.

[type. **3G PLATE / METAL / WITHOUT LOGO.**]

[info. **MEASUREMENTS.**]



[info. **SPECIFICATIONS.**]

Our Metal Electricity range has solid stainless steel plates, in our signature white, steel, brass, smoked bronze and black finishes.

Style: 3G metal plate + infills.

For use with class 1 modules only / Must be grounded

Recommended back box:

Standard flush mounted 3G back box. See dimensions of chosen module(s) for required back box depth.

[info. **FINISH & SKU NUMBERS.**]

[finish.]

[US.]

● White	NPL-143591
● Steel	NPL-073590
● Brass	NPL-053588
● Smoked Bronze	NPL-093589
● Black	NPL-023587

[info. **CARE INSTRUCTIONS.**]

Wipe with lint free cloth with no loose hairs, avoid using any chemicals. All finishes are prone to aging.

[info. **CERTIFICATION.**]

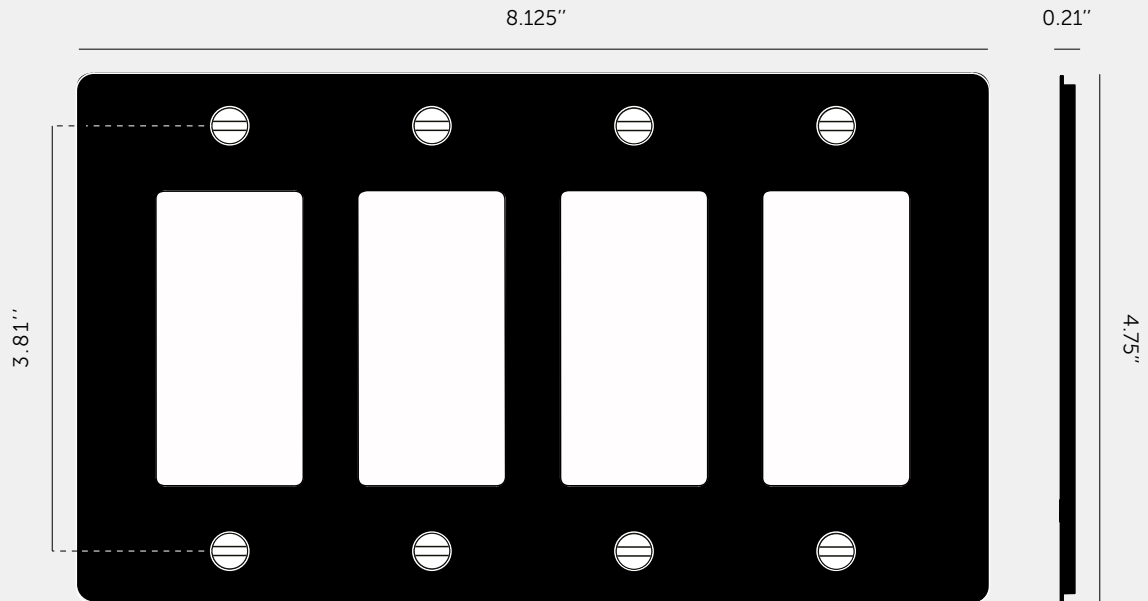
Plates: Underwriters Laboratories cULus listed for use throughout North America: E507052.

[please. **NOTE.**]

DISCLAIMER: Always consult a trade professional when installing this plate. Buster + Punch is not responsible for the usage or feasibility of installation requirements. This product is not suitable for lint free or wet environments.

[type. **4G PLATE / METAL / WITHOUT LOGO.**]

[info. **MEASUREMENTS.**]



[info. **SPECIFICATIONS.**]

Our Metal Electricity range has solid stainless steel plates, in our signature white, steel, brass, smoked bronze and black finishes.

Style: 4G metal plate + infills.

For use with class 1 modules only / Must be grounded.

Recommended back box:

Standard flush mounted 4G back box. See dimensions of chosen module(s) for required back box depth.

[info. **FINISH & SKU NUMBERS.**]

[finish.]

[US.]

White	NPL-143596
Steel	NPL-073595
Brass	NPL-053593
Smoked Bronze	NPL-093594
Black	NPL-023592

[info. **CARE INSTRUCTIONS.**]

Wipe with lint free cloth with no loose hairs, avoid using any chemicals. All finishes are prone to aging.

[info. **CERTIFICATION.**]

Plates: Underwriters Laboratories cULus listed for use throughout North America: E507052.

[please. **NOTE.**]

DISCLAIMER: Always consult a trade professional when installing this plate. Buster + Punch is not responsible for the usage or feasibility of installation requirements. This product is not suitable for lint free or wet environments.

BUSTER+PUNCH

LONDON

[product.]

ELECTRICITY / 1G-4G PLATE / POLYCARB

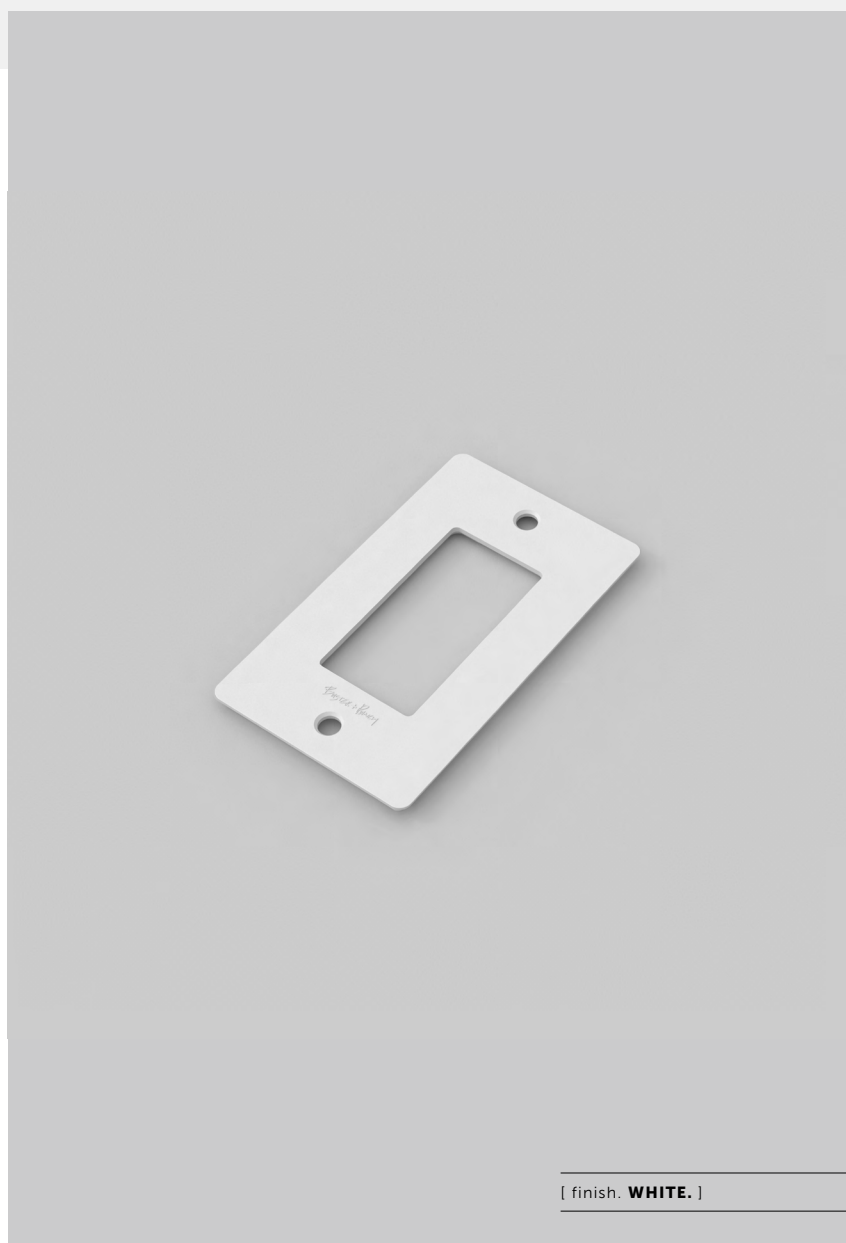
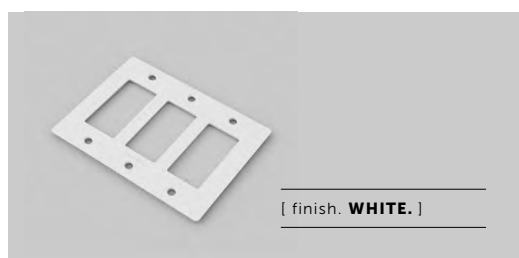
[with. **INFILLS.**]

[detail. **COIN SCREW.**]

[born. **LONDON.**]

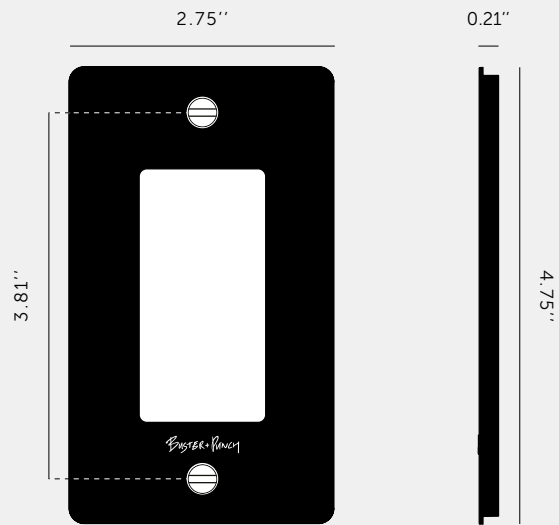
[region. **NORTH AMERICA.**]

Decorative cover plate sets in a variety of two quality painted finishes, complete with flush fitting infills. Designed to be completed with range of module inserts to suit a broad spectrum of requirements for lighting control, power supply and device charging. Always finish with our signature details kit & coin screws.



[type. **1G PLATE / POLYCARB.**]

[info. **MEASUREMENTS.**]



[info. **SPECIFICATIONS.**]

Our Polycarbonate Electricity range plates are made of polycarbonate, painted black or white with a moulded Buster + Punch logo.

Style: 1G finishing plate + infills.

For use with class 1 modules only / Must be grounded.

Recommended Back Box:

Standard flush mounted 1G back box. See dimensions of chosen module(s) for required back box depth.

[info. **FINISH & SKU NUMBERS.**]

[finish.]

[US.]

● White

NPL-14293

● Black

NPL-02290

[info. **CERTIFICATION.**]

Plates: Underwriters Laboratories cULus listed for use throughout North America: E507051.

[info. **CARE INSTRUCTIONS.**]

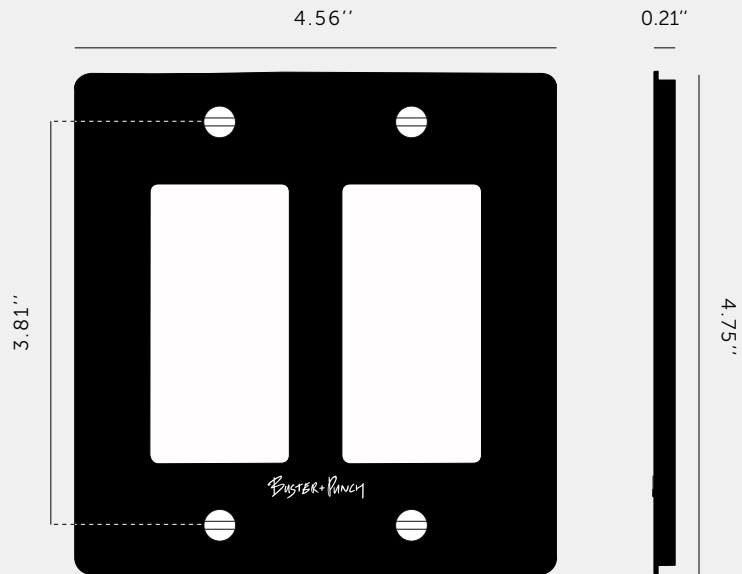
Wipe with lint free cloth with no loose hairs, avoid using any chemicals. All finishes are prone to aging.

[please. **NOTE.**]

DISCLAIMER: Always consult a trade professional when installing this plate. Buster + Punch is not responsible for the usage or feasibility of installation requirements. This product is not suitable for lint free or wet environments.

[type. **2G PLATE / POLYCARB.**]

[info. **MEASUREMENTS.**]



[info. **SPECIFICATIONS.**]

Our Polycarbonate Electricity range plates are made of polycarbonate, painted black or white with a moulded Buster + Punch logo.

Style: 2G finishing plate + infills.

For use with class 1 modules only / Must be grounded.

Recommended back box:

Standard flush mounted 2G back box. See dimensions of chosen module(s) for required back box depth.

[info. **FINISH & SKU NUMBERS.**]

[finish.]

[US.]

● White

NPL-14298

● Black

NPL-02295

[info. **CERTIFICATION.**]

Plates: Underwriters Laboratories cULus listed for use throughout North America: E507051.

[info. **CARE INSTRUCTIONS.**]

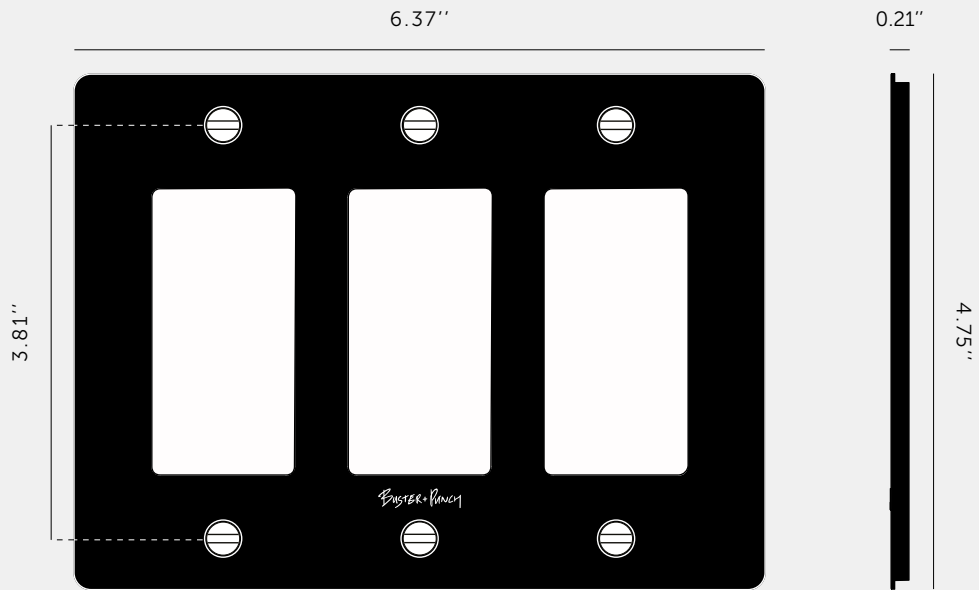
Wipe with lint free cloth with no loose hairs, avoid using any chemicals. All finishes are prone to aging.

[please. **NOTE.**]

DISCLAIMER: Always consult a trade professional when installing this plate. Buster + Punch is not responsible for the usage or feasibility of installation requirements. This product is not suitable for lint free or wet environments.

[type. **3G PLATE / POLYCARB.]**

[info. **MEASUREMENTS.]**



[info. **SPECIFICATIONS.]**

Our Polycarbonate Electricity range plates are made of polycarbonate, painted black or white with a moulded Buster + Punch logo.

Style: 3G finishing plate + infills.

For use with class 1 modules only / Must be grounded.

Recommended back box:

Standard flush mounted 3G back box. See dimensions of chosen module(s) for required back box depth.

[info. **FINISH & SKU NUMBERS.]**

[finish.]

[US.]

● White

NPL-14303

● Black

NPL-02300

[info. **CERTIFICATION.]**

Plates: Underwriters Laboratories cULus listed for use throughout North America: E507051.

[info. **CARE INSTRUCTIONS.]**

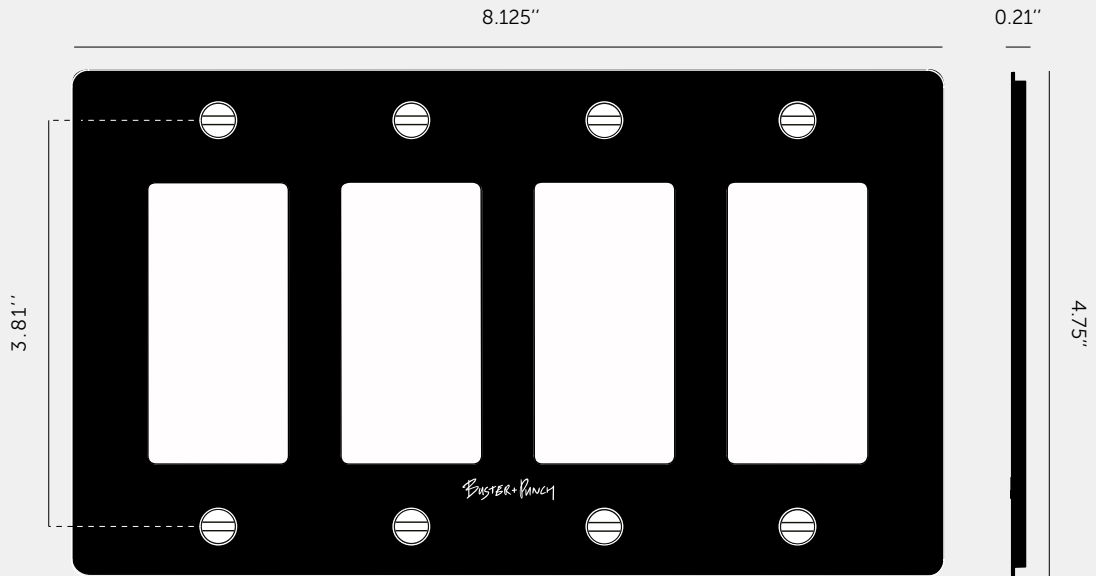
Wipe with lint free cloth with no loose hairs, avoid using any chemicals. All finishes are prone to aging.

[please. **NOTE.]**

DISCLAIMER: Always consult a trade professional when installing this plate. Buster + Punch is not responsible for the usage or feasibility of installation requirements. This product is not suitable for lint free or wet environments.

[type. **4G PLATE / POLYCARB.**]

[info. **MEASUREMENTS.**]



[info. **SPECIFICATIONS.**]

Our Polycarbonate Electricity range plates are made of polycarbonate, painted black or white with a moulded Buster + Punch logo.

Style: 4G finishing plate + infills.

For use with class 1 modules only / Must be grounded.

Recommended back box:

Standard flush mounted 4G back box. See dimensions of chosen module(s) for required back box depth.

[info. **FINISH & SKU NUMBERS.**]

[finish.]

[US.]

● White

NPL-14308

● Black

NPL-02305

[info. **CERTIFICATION.**]

Plates: Underwriters Laboratories cULus listed for use throughout North America: E507051.

[info. **CARE INSTRUCTIONS.**]

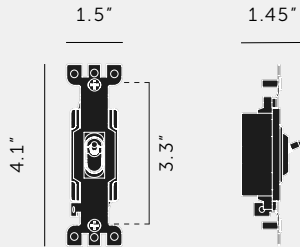
Wipe with lint free cloth with no loose hairs, avoid using any chemicals. All finishes are prone to aging.

[please. **NOTE.**]

DISCLAIMER: Always consult a trade professional when installing this plate. Buster + Punch is not responsible for the usage or feasibility of installation requirements. This product is not suitable for lint free or wet environments.

[type. **TOGGLE MODULES.**]

[info. **SPEC SHEET.**]



[Finish.]

[SKU.]

[info. **SPECIFICATION.**]

● Black

NTM-01384

TOGGLE MODULE

Style: On / Off Toggle Switch

Input: 120 - 277VAC / 60Hz

Load: 15A

Switching: 3 way (max 2 per circuit)

Certification: cETLus 5005703

Compatibility: 3-Way & 4-way switches.

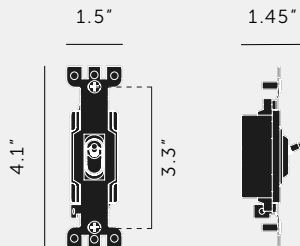
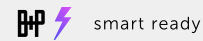
Not compatible with retractive switches, motors, fans or other inductive loads.

Testing Includes:

Overload - 125 cycles @ 150% max load

Endurance - 10,000 cycles @ 100% max load

Dielectric Voltage Withstand - 1500V



[Finish.]

[SKU.]

[info. **SPECIFICATION.**]

● Black

NTM-023526

TOGGLE MODULE / RETRACTIVE

Style: Momentary On / Off Toggle Switch

Input: 120 - 277VAC / 60Hz

Load: 15A

Switching: Retractive (multiple location dimming, up to 10 switches on 1 circuit)

Certification: cETLus 5005703

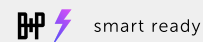
Compatibility: Industry-standard smart control modules & our multipoint dimmers. Not compatible with 3-Way & 4-way switches, motors, fans or other inductive loads.

Testing Includes:

Overload - 125 cycles @ 150% max load

Endurance - 10,000 cycles @ 100% max load

Dielectric Voltage Withstand - 1500V



[info. **CARE INSTRUCTIONS.**]

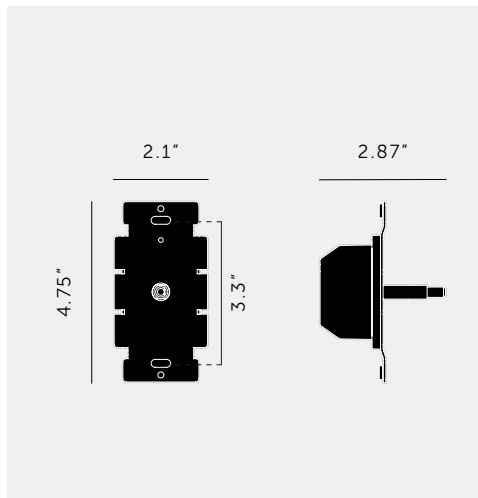
Wipe with lint free cloth with no loose hairs, avoid using any chemicals. All finishes are prone to ageing. Please note that finishes may age naturally with time and regular use.

[please. **NOTE.**]

DISCLAIMER: Always consult a trade professional when installing these outlets. Buster + Punch is not responsible for the usage or feasibility of installation requirements. This product is not suitable for lint free or wet environments.

[type. **DIMMER MODULES.**]

[info. **SPEC SHEET.**]



[Finish.]

[SKU.]

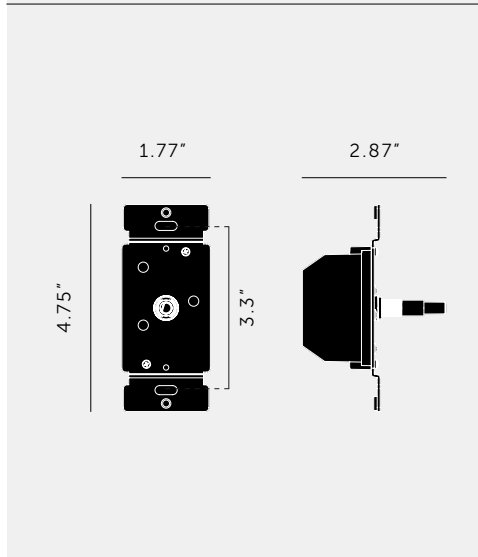
[info. **SPECIFICATION.**]

● Grey

NDM-01385

DIMMER MODULE / INCANDESCENT

Style: Push ON/OFF Rotary Dimmer with 3 way switching
Input: 100 - 120VAC 60 Hz
Dimming Type: Forward Phase (Leading Edge) Only
Load: 600W max. HAL / INC. 5-150W LED
Operating Temperature: 32° - 95°F / 0° - 35°C
Humidity: 10 - 90% R.H.
Certifications: cETLus 5008883
Compatibility: 3-Way & 4-way switches. Not compatible with retractive switches. Not compatible with non-dimmable bulbs and energy saving bulbs (CFLs)
Testing Includes:
Overload - 100 cycles @ 150% max load
Endurance - 10,000 cycles @ 100% max load
Dielectric Voltage Withstand - 1500V



[Finish.]

[SKU.]

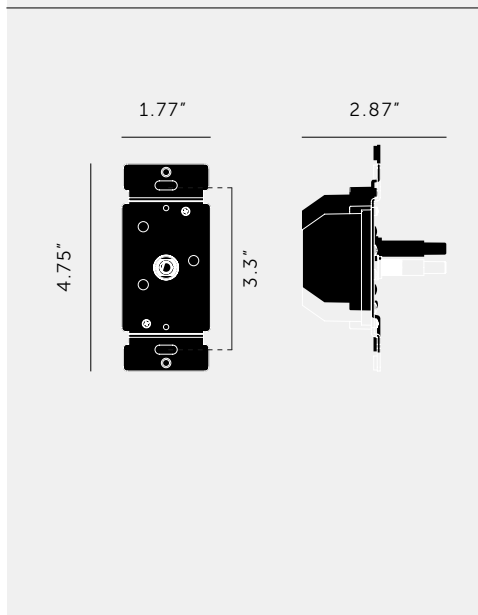
[info. **SPECIFICATION.**]

● Grey

NDM-024061

DIMMER MODULE / LED

Style: Push ON/OFF Rotary Dimmer
Input: 100 - 120V AC 60 HZ
Dimming Type: Forward and Reverse Phase (Auto-Detect & User Over-ride)
Load: HAL / INC 10-300W. LED 5-250W
Operating Temperature: 32° - 95°F / 0° - 35°C
Humidity: 10 - 90% R.H.
Certifications: cETLus 5008883
Compatibility: 3-Way & 4-Way Switches. Not Compatible with Retractive Switches. Not Compatible with non-dimmable Lamps & Fixtures, compact florescent lamps, electric motors, fans and energy saving bulbs (CFL's).
Testing Includes:
Overload - 100 cycles @ 150% max load
Endurance - 10,000 cycles @ 100% max load
Dielectric Voltage Withstand - 1500V



[Finish.]

[SKU.]

[info. **SPECIFICATION.**]

● Grey

NDM-013407

DIMMER MODULE / MULTIPOINT LED

Style: Push ON/OFF Rotary Dimmer with multi location dimming via retractive switches.
Input: 100 - 120V AC 60 HZ
Dimming Type: Forward and Reverse Phase (Auto-Detect & User Over-ride)
Load: HAL / INC 10-300W. LED 5-250W
Operating Temperature: 32° - 95°F / 0° - 35°C
Humidity: 10 - 90% R.H.
Certifications: cULus E533655
Compatibility: 3-Way & 4-Way Switches. Not Compatible with Retractive Switches. Not Compatible with non-dimmable Lamps & Fixtures, compact florescent lamps, electric motors, fans and energy saving bulbs (CFL's).
When paired with our retractive toggle modules switches, the full functionality of the dimmer is possible from up to 10 locations.
Testing Includes:
Overload - 100 cycles @ 150% max load
Endurance - 10,000 cycles @ 100% max load
Dielectric Voltage Withstand - 1500V

[info. **CARE INSTRUCTIONS.**]

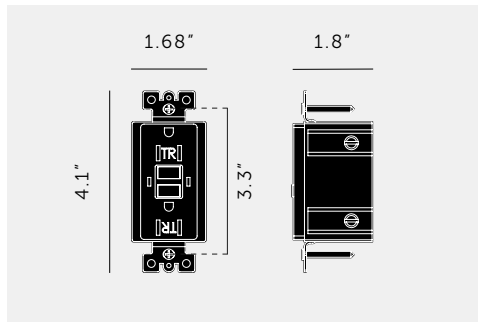
Wipe with lint free cloth with no loose hairs, avoid using any chemicals. All finishes are prone to ageing. Please note that finishes may age naturally with time and regular use.

[please. **NOTE.**]

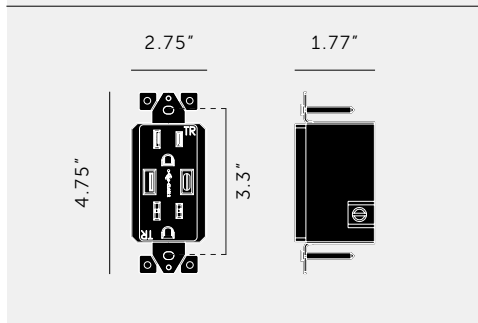
DISCLAIMER: Always consult a trade professional when installing these outlets. Buster + Punch is not responsible for the usage or feasibility of installation requirements. This product is not suitable for lint free or wet environments.

[type. **SOCKET MODULES.**]

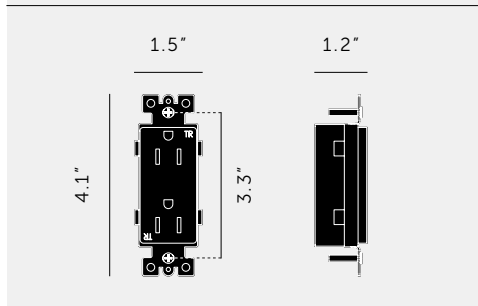
[info. **SPEC SHEET.**]



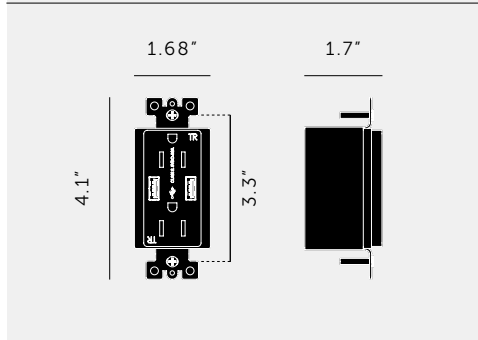
[Finish.]	[SKU.]	[info. SPECIFICATION.]
<ul style="list-style-type: none"> White Black 	<ul style="list-style-type: none"> NSM-143241 NSM-023240 	<p>DUPLEX OUTLET GFCI MODULE</p> <p>Style: Duplex Outlet GFCI Input: 125VAC / 60Hz Load: 15A Class 1 outlet / Must be grounded. Tamper resistant Ground fault protection Certification: cULus listed Must be grounded.</p>



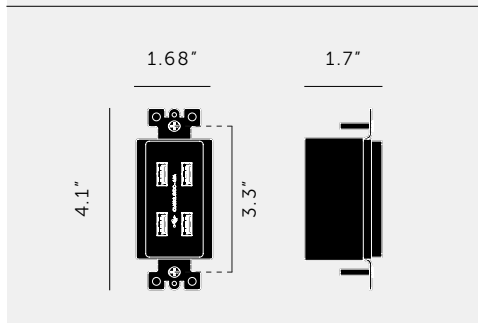
[Finish.]	[SKU.]	[info. SPECIFICATION.]
<ul style="list-style-type: none"> White Black 	<ul style="list-style-type: none"> NSM-143243 NSM-023242 	<p>DUPLEX OUTLET MODULE + 2 USB - A + C</p> <p>Style: Duplex Outlet & 2 x USB Charger Input: 125VAC / 60Hz Load / Outlet: 15A Load / USB A: 5VDC / 2.4A Load / USB C: PD'QC3.0 Certification: cETLus listed 5005536 Must be grounded.</p>



[Finish.]	[SKU.]	[info. SPECIFICATION.]
<ul style="list-style-type: none"> White Black 	<ul style="list-style-type: none"> NXM-14253 NXM-02252 	<p>DUPLEX 5-15R OUTLET</p> <p>Style: Duplex Outlet Input: 125VAC / 60Hz Load: 15A Class 1 outlet / Must be grounded. Tamper resistant Certification: cULus listed Must be grounded.</p>



[Finish.]	[SKU.]	[info. SPECIFICATION.]
<ul style="list-style-type: none"> White Black 	<ul style="list-style-type: none"> NSC-14387 NSC-02386 	<p>DUPLEX 5-15R OUTLET + 2 X USB CHARGER</p> <p>Style: Duplex Outlet + 2 x USB Charger Input: 125VAC / 60Hz Load / Outlet: 15A Load / USB A: 5VDC / Total 4.0A Operating Temperature: -4 - 140°F / -20 - 60°C Compatibility / USB: USB A 1.1 / 2.0 / 3.0 devices Class 1 outlet / Must be grounded. Tamper resistant Certification: cULus listed Must be grounded.</p>



[Finish.]	[SKU.]	[info. SPECIFICATION.]
<ul style="list-style-type: none"> White Black 	<ul style="list-style-type: none"> NSC-14389 NSC-02388 	<p>OUTLET MODULE 4 USB CHARGER</p> <p>Style: 4 x USB Charger Input: 125VAC / 60Hz Load: 5VDC / Total 4.0A Operating Temperature: -4 - 140°F / -20 - 60°C Compatibility: USB A 1.1 / 2.0 / 3.0 devices. Class 1 outlet / Must be grounded. Tamper resistant. Certification: cULus listed Must be grounded.</p>

[info. **CARE INSTRUCTIONS.**]

Wipe with lint free cloth with no loose hairs, avoid using any chemicals. All finishes are prone to ageing. Please note that finishes may age naturally with time and regular use.

[please. **NOTE.**]

DISCLAIMER: Always consult a trade professional when installing these outlets. Buster + Punch is not responsible for the usage or feasibility of installation requirements. This product is not suitable for lint free or wet environments.

[product.

DETAIL KITS

[fyi.

**IF YOU WISH TO CREATE A MIXED FINISH, COMBINE SEPARATE
DETAIL KITS TO ACHIEVE YOUR DESIRED LOOK.]**

DIMMER DETAIL KIT

[type. **DIMMER KNOB.**]

[knurl. **CROSS.**]

[details. **SOLID METAL.**]

[to fit. **DIMMER SWITCH.**]

[finish.]

- White
- Steel
- Brass
- Smoked Bronze
- Black

[sku.]

NDK-143055
NDK-073743
NDK-053741
NDK-093742
NDK-023054



TOGGLE DETAIL KIT

[type. **TOGGLE ARM.**]

[knurl. **CROSS.**]

[details. **SOLID METAL.**]

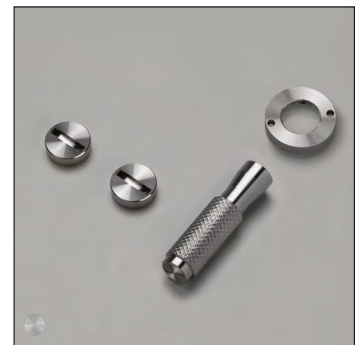
[to fit. **TOGGLE SWITCH.**]

[finish.]

- White
- Steel
- Brass
- Smoked Bronze
- Black

[sku.]

NTK-14332
NTK-07330
NTK-05323
NTK-09327
NTK-02324



OUTLET DETAIL KIT

[type. **COIN SCREWS.**]

[details. **SOLID METAL.**]

[to fit. **PLATES.**]

[finish.]

- White
- Steel
- Brass
- Smoked Bronze
- Black

[sku.]

NSK-14370
NSK-07375
NSK-05372
NSK-09374
NSK-02373



FAQ SHEET

CATEGORY	QUESTION	ANSWER
GENERAL	Can I combine different modules on the same plate?	Yes, our plates are designed to accommodate a combination of modules, from 1G - 4G. Please refer to our website for purchasing options or contact one of our sales representatives for more information.
MODULES	What module inserts do you stock?	<p>We stock the following module inserts:</p> <ul style="list-style-type: none"> • Duplex Outlet GFCI Module Module Code: Black NSM-023240 / White NSM-143241 • Duplex Outlet Module + 2 USB - A+C Module Code: Black NSM-023242 / White NSM-143243 • Duplex Outlet Module Module Code: Black NXM-02252 / White NXM-14253 • Duplex Outlet Module + 2 USB Charger Module Code: Black NSC-02386 / White NSC-14387 • Outlet Module 4 USB Charger Module Code: Black NSC-02388 / White NSC-14389 • Toggle Module Module Code: NTM-01384 • Toggle Module / Retractive Module Code: NTM-023526 • Toggle Module / 4-way Module Code: NTM-023525 • Dimmer Module / Incandescent Module Code: NDM-01385 • Dimmer Module / LED Module Code: NDM-024061 • Dimmer Module / Multipoint LED Module Code: NDM-013407
MODULES	I want to use a module that isn't available on your website.	Our plates are designed to integrate flawlessly with our range of modules and accessories. For bespoke enquiries, please contact a member of our sales team directly.
INSTALL	I want to use a module that isn't available on your website.	Please reference the key dimensions of the module and mounting holes when checking compatibility. We always recommend flush mounted wall boxes, which are widely available from major retailers.
INSTALL	Will the plates work with my existing wall box?	We strongly recommend that our products are always installed by a qualified electrician. Always refer to the safety notices within the instruction manual before attempting any electrical installation.
GENERAL	Can I install my plate and modules myself ?	Yes, we stock a number of 'complete' products up to 2G, in solid finishes with matching details. Please refer to our website for purchasing options.