

1487 [E-26]

Name: Living Hinges Accord Pendant 1487
 Collection: Living Hinges
 Application: Pendant
 Construction: Natural Wood Veneer, MDF

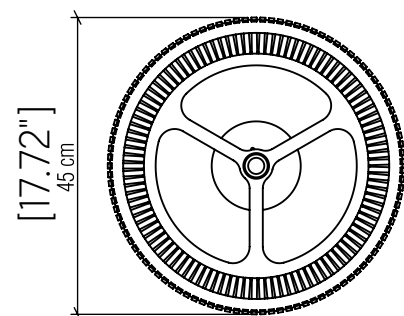
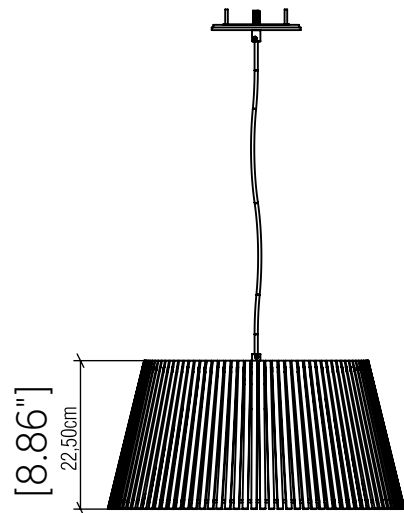
Specifications

Light Source: 1X 25W 120v-277v E26 [medium base]
 Driver Location: N/A
 Color Temperature: Lamp Dependent
 Dimming Option: Lamp Dependent
 CRI: Lamp Dependent
 Delivered Lumens: Lamp Dependent
 Total Power: Lamp Dependent
 Input Voltage: 120V - 240V
 Input Frequency: 60 Hz
 Canopy Dimension: H0.8cm Ø13,5cm / H0.31" Ø5.31"
 Height Adjustment Limit: 10'
 Weight:

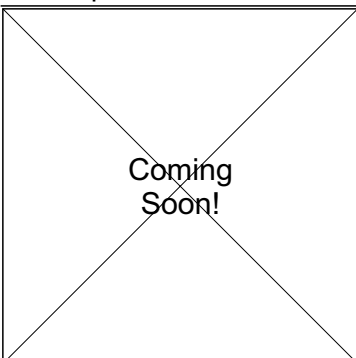
Fixture Image



Technical Drawing



Photometric Graph



Standards

