

Project:

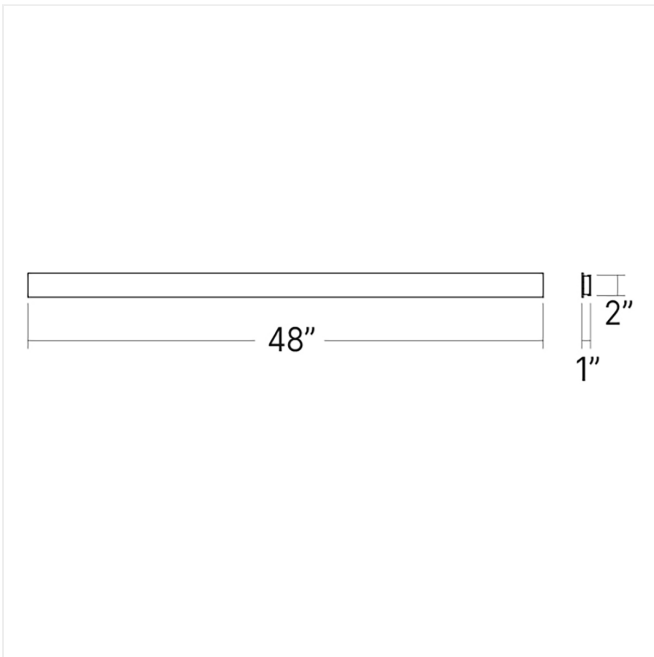
Lithe 4' 2-Sided Wall Lamp Spec Sheet

SKU: 3454.77

Referencing the industrial elegance of an H beam used in engineering and architecture, Lithe is designed to evenly distribute light in two directions. This sleek and minimal collection is ideal for any modern space, including residential, hospitality and commercial settings. The family includes [pendants](#) and wall lamps in textured black, textured white, and natural anodized finishes.

Learn more: <https://sonnemanlight.com/lithe-2-sided-wall-lamp>

Type #:



Dimensions

Height:	2.25"
Width:	48"
Size:	4'

Electrical Specs

Bulb(s) Included?:	Yes
Bulb 1 Type:	Integral LED
Bulb Quantity:	2
Input Voltage:	120-277VAC
Wattage:	15
Initial Lumens:	3400
Delivered Lumens:	1300
Color Temperature:	3000K
CRI:	90
Power Supply Type:	Driver
Power Supply Quantity:	1
Power Supply Location:	Remote
Dimming Type:	TRIAC/ELV/0-10V

Installation

Installation:	Licensed electrician required, multi-step installation
Sloped Ceiling Compatible?:	N/A
Installation Orientation:	Any Orientation

Shade

Shade Material:	Aluminum
------------------------	----------

General Listings

Features:	Damp Rated
Certification:	C-ETL-US
Color/Finish:	Natural Anodized (.77)

Available Finishes

Available Finishes:	Natural Anodized (.77), Textured Black (.97), Textured White (.98)
----------------------------	--

Available Color Temperatures

Available Color Temperatures:	3000k
--------------------------------------	-------