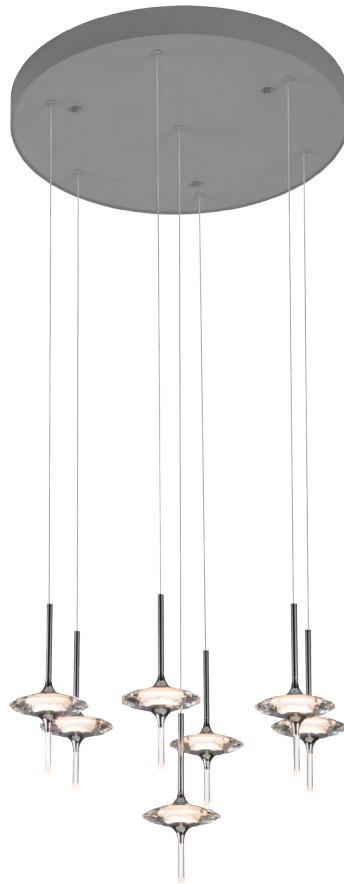
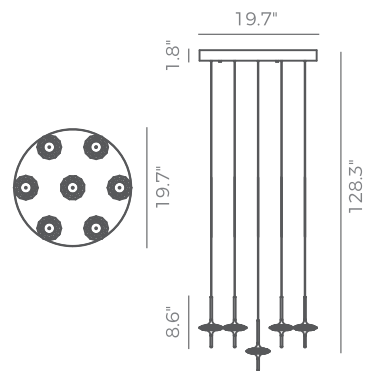


<b>PROJECT</b>			
<b>DATE</b>		<b>TYPE</b>	



PP121753-CM/GY **NEW**



## LIGHT-YEAR

### DETAILS

**Material:**  
Zinc Alloy + Steel + ABS

**Lamp Shade:**  
Crystal + Acrylic

**Finishing:**  
Electroplating +  
Painting

**Color Temp.:** 3000K

**CRI (Ra):** ≥90

**LED Rated Life:** ≈50,000 Hours

**Dimming:** 100%-10%



Dimmable with ELV or TRIAC Dimmer (Not Included)

<b>ITEM NO.</b>	PP121753
<b>Wattage:</b>	35W
<b>Voltage:</b>	100-120V
<b>Size:</b>	19.7" Dia. x 128.3" OAH
<b>Total Lumens:</b>	2940lm
<b>Delivered Lumens:</b>	2100lm