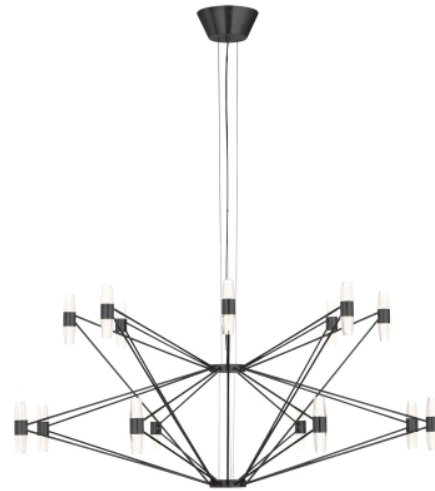


LASSELL TWO TIER X-LARGE CHANDELIER

VISUAL COMFORT & CO.

PRODUCT FEATURES

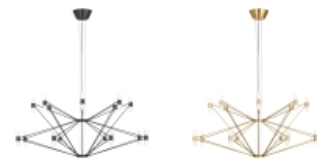
- Contemporary design for modern spaces
- Ships with 12 feet of field-cuttable black cable.
- Crystal with inner laser etching
- This item is made of natural brass. It is a living finish that will patina and warm with age which adds richness. If it gets an uneven patina or spots, a brass cleaner can restore the finish
- Modern finishes available



LAMPING

Includes 54.4 watts, 5984 total delivered lumens, 2700K LED module. Dimmable with most LED compatible ELV dimmers. Ships with 12 feet of field-cuttable black cable. Can be installed on a sloped ceiling up to 45°. 120V-277V.

Dark Bronze



Dark Bronze

Natural Brass

ORDERING INFORMATION

SLCH247	COLOR TEMP	FINISH
	27 2700K	BZ DARK BRONZE NB NATURAL BRASS

SLCH247 _____

JOB NAME _____

NOTES _____

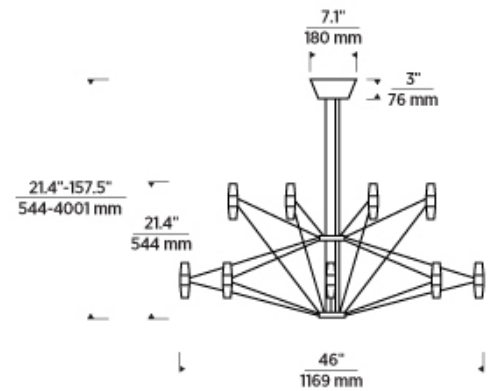


LASSELL TWO TIER X-LARGE CHANDELIER

VISUAL COMFORT & Co.

SPECIFICATIONS

PRIMARY MATERIAL	Brass
SHADE MATERIAL	Crystal
NET WEIGHT	35.5 lbs
HEIGHT	21.4in
WIDTH	46in
LENGTH	46in
UP LIGHT / DOWN LIGHT / BOTH?	
WET LISTED	
DAMP LISTED	
DRY LISTED	
MIN. HANGING HEIGHT	21.4in
MAX HANGING HEIGHT	157.5in
TOTAL CORD LENGTH	144in
TOTAL STEM LENGTH	
STEM QTY	
SLOPED CEILING ADAPTABLE?	Yes 45° Max
GENERAL LISTING	ETL Listed
INCLUDES	



LAMPING SPECIFICATIONS

	LED LAMP	INTEGRATED LED	NON LED	NO LAMP
DELIVERED LUMENS		5984		
WATTS		54.4		
MAX WATTAGE PER BULB		54.4W		
		Universal 120V-277V ELV		
CCT		2700K		
CRI		90 CRI		
LED LIFETIME		>50000		
L70				
AVERAGE BULB HOURS				
FIELD SERVICEABLE LED				
LAMP BASE		Integrated LED		
LAMP SHAPE		Integrated LED		
LAMP INCLUDED?		True		
WARRANTY**		5 Years		

* Dimming information available at www.techlighting.com/Downloads#dimming

** Visit techlighting.com for specific warranty limitations and details.

T20 / T24 / JA8 INFORMATION

	Integrated LED	Replacement LED Lamp	No Lamp *
This product can be used to comply with California Building Energy Efficiency Standards 2016 Title 24 Part 6 / JA8.	Yes		
This product can be used to comply with California Appliance Efficiency Standards 2016 Title 20 and may be shipped to and sold in California.			

* If a light fixture or component does not include a lamp or light source, it is the responsibility of the customer to select a lamp that meets the T24 and T20 requirements.

