

Project:

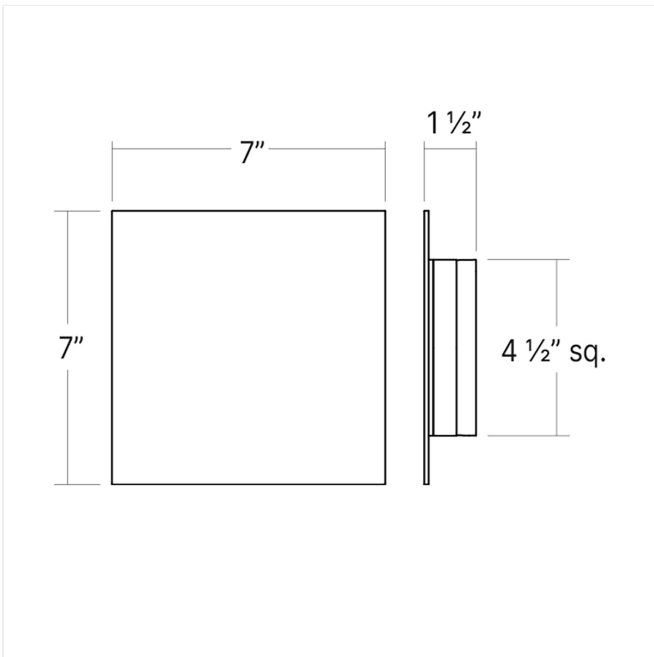
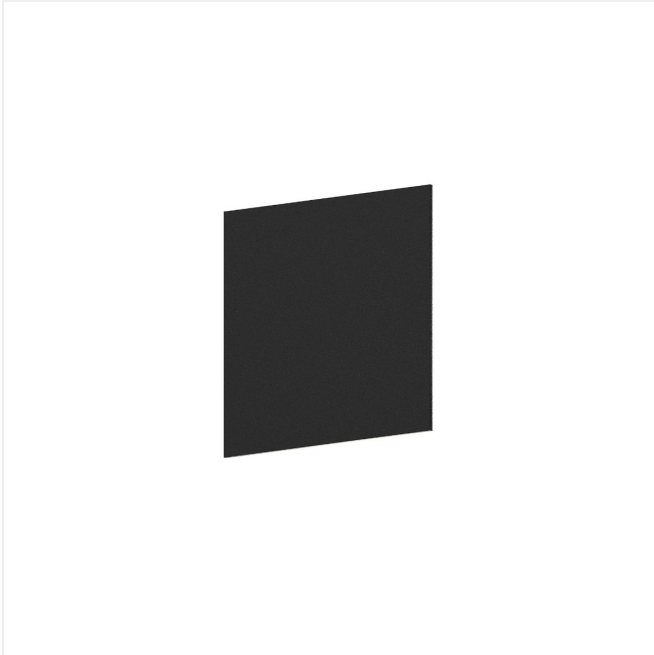
LP Square Sconce Spec Sheet

SKU: 7525.97

Pared-down and straightforward, LP's refined, hard-edge wall mounted presence creates evenly diffused LED spatial compositions. This collection's indirect ambient light counters its round and square shapes and creates a halo effect against the wall or ceiling. This timeless geometric form is ideal for any indoor or outdoor architectural space. This collection can be scaled for larger residential, hospitality and commercial settings. LP's IP65 rating paired with the subtle ambient light it projects make it an ideal collection for outdoor locations.

Learn more: <https://sonnemanlight.com/lp-sconce>

Type #:



Dimensions

Height:	7"
Width:	7"
Canopy/Backplate/Base:	4.5"
Shape:	Square
Size:	Square

Electrical Specs

Bulb(s) Included?:	Yes
Bulb 1 Type:	Integral LED
Bulb Quantity:	1
Input Voltage:	120-277VAC
Wattage:	12
Initial Lumens:	1400
Delivered Lumens:	550
Color Temperature:	3000K
CRI:	90
Power Supply Type:	Driver
Power Supply Quantity:	1
Power Supply Location:	Outlet Box
Dimming Type:	TRIAC/ELV/0-10V

Installation

Installation:	Licensed electrician required
Sloped Ceiling Compatible?:	N/A
Installation Orientation:	Vertical

Shade

Shade Material:	Aluminum
-----------------	----------

General Listings

Features:	IP65 Rated, Wet Rated
Certification:	C-ETL-US
Color/Finish:	Textured Black (.97)

Available Finishes

Available Finishes:	Textured Black (.97), Textured White (.98)
---------------------	--

Available Color Temperatures

Available Color Temperatures:	3000k
-------------------------------	-------