

KENNETT SMALL TABLE LAMP

VISUAL COMFORT & CO.

PRODUCT FEATURES

- Elevate your decor with the perfect blend of nature-inspired design and modern functionality
- Modern finishes available
- Includes three-step dimmer and a 6 feet black cloth cord
- This item is made of natural brass. It is a living finish that will patina and warm with age which adds richness. If it gets an uneven patina or spots, a brass cleaner can restore the finish
- Protected by a 5-year warranty



Polished Nickel



Polished Nickel

LAMPING

Includes 120V-240V 5.8 watts, 394 delivered lumens, 90 CRI 2700K LED module. Built-in three way dimming. Includes 6 feet of black cloth cord.

ORDERING INFORMATION

SLTB324	COLOR TEMP	FINISH
	27 2700K	BZ DARK BRONZE NB NATURAL BRASS N POLISHED NICKEL

SLTB324 _____

JOB NAME _____

NOTES _____

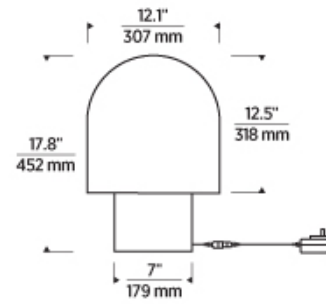


KENNETT SMALL TABLE LAMP

VISUAL COMFORT & CO.

SPECIFICATIONS

PRIMARY MATERIAL	Steel Or Brass
SHADE MATERIAL	Steel Or Brass
NET WEIGHT	20.5 lbs
HEIGHT	17.8in
WIDTH	12.1in
LENGTH	12.1in
WET LISTED	
DAMP LISTED	
DRY LISTED	
GENERAL LISTING	ETL Listed
INCLUDES	



LAMPING SPECIFICATIONS

	LED LAMP	INTEGRATED LED	NON LED	NO LAMP
DELIVERED LUMENS		394		
WATTS		5.8		
MAX WATTAGE PER BULB		5.8W		
		120V-240V Integrated 3-Step Touch Dimmer		
CCT		2700K		
CRI		90 CRI		
LED LIFETIME				
L70		>50000		
AVERAGE BULB HOURS				
FIELD SERVICEABLE LED				
LAMP BASE		Integrated LED		
LAMP SHAPE		Integrated LED		
LAMP INCLUDED?		True		
WARRANTY**		5 Years		

* Dimming information available at www.techlighting.com/Downloads#dimming

** Visit techlighting.com for specific warranty limitations and details.

T20 / T24 / JA8 INFORMATION

	Integrated LED	Replacement LED Lamp	No Lamp *
This product can be used to comply with California Building Energy Efficiency Standards 2016 Title 24 Part 6 / JA8.	No		
This product can be used to comply with California Appliance Efficiency Standards 2016 Title 20 and may be shipped to and sold in California.			

* If a light fixture or component does not include a lamp or light source, it is the responsibility of the customer to select a lamp that meets the T24 and T20 requirements.

