

INFINITA

Design Renato Toso, Noti Massari & Associati

INFINITA PL 53



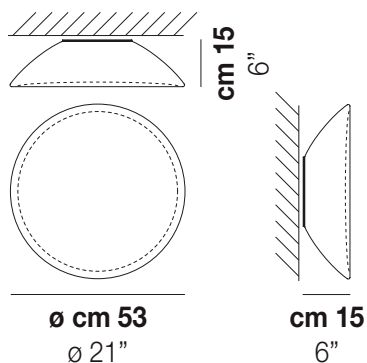
Available in suspension, ceiling and wall versions. It is the perfect answer for those looking for a large lamp. The diffuser, especially in the larger size, offers a large surface area despite an essential metal frame. A new 70 cm size is added to the collection in both ceiling and suspension versions.

INFINITA PL 53

TECHNICAL DATA:



CERTIFICATIONS:



LIGHT SOURCES

LED	Power	Voltage/Freq	Beam Angle	Light Output
LED 2700K DIM2	2x60W	120V/60HZ	E26	Led 2700 K 19 W 39 V 2850 lm DIM2 Phase Cut
LED 2700K DIM3	1x19 W	120V/60HZ		Led 2700 K 19 W 39 V 2850 lm DIM3 0-10V, Push
LED 3000K DIM2	1x19 W	120V/60HZ		Led 3000 K 19 W 39 V 2850 lm DIM2 Phase Cut
LED 3000K DIM3	1x19 W	120V/60HZ		Led 3000 K 19 W 39 V 2850 lm DIM3 0-10V, Push

VOLUME	Mc 0,13
GROSS WEIGHT	Kg 8
NET WEIGHT	Kg 6

[download](#)



SHADE FINISHING



BCST

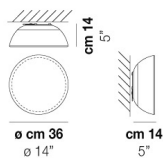
FRAME FINISHING



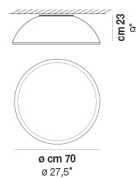
BC

OTHER VERSION AVAILABLE

Click on the version to go to the web version of the product



INFIN PP 36



INFIN PL 70