



Project: _____

Location: _____

Fixture Type: _____

Catalog Number: _____

AVAILABLE FINISHES:



Haze

WS-W64316

PRODUCT DESCRIPTION

Like gilded rays of a sun drenched sky. Dramatic enticing streaks of light evoked from wispy glass with an etched back surface. A symphony of illumination.

FEATURES

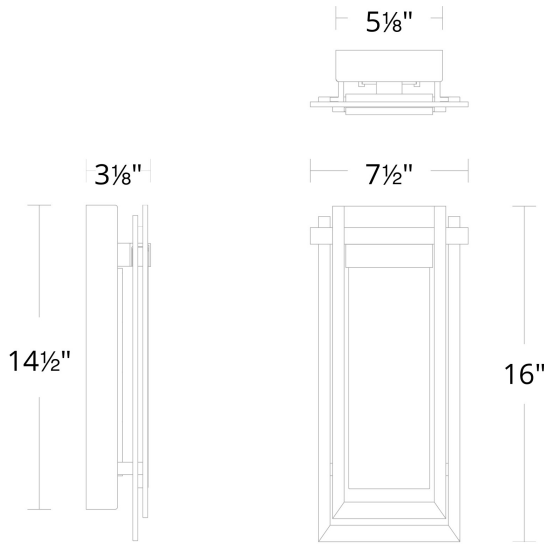
- ACLED driverless technology
- Front and downward illumination
- Artisanal wispy handcrafted glass shade. Each unique piece lends itself to slight variations.

SPECIFICATIONS

Rated Life	54000 Hours
Standards	ETL, cETL, Wet Location Listed, Title 24 JA8: 2019 Compliant
Input	120V AC, 50/60Hz
Dimming	ELV: 100-5%, TRIAC: 100-5%
Color Temp	3000K
CRI	90
Construction	Extruded aluminum frame and hand crafted pressed glass shade

REPLACEMENT PARTS

RPL-GLA-64316 - Replacement Glass



WS-W64316

Model & Size	Color Temp	Finish	LED Watts	LED Lumens	Delivered Lumens
WS-W64316 16"	3000K	BK Black	10.9W	623	441

Example: **WS-W64316-BK**

For custom requests please contact customs@modernforms.com



Project: _____

Location: _____

Fixture Type: _____

Catalog Number: _____

AVAILABLE FINISHES:



Haze

WS-W64322

PRODUCT DESCRIPTION

Like gilded rays of a sun drenched sky. Dramatic enticing streaks of light evoked from wispy glass with an etched back surface. A symphony of illumination.

FEATURES

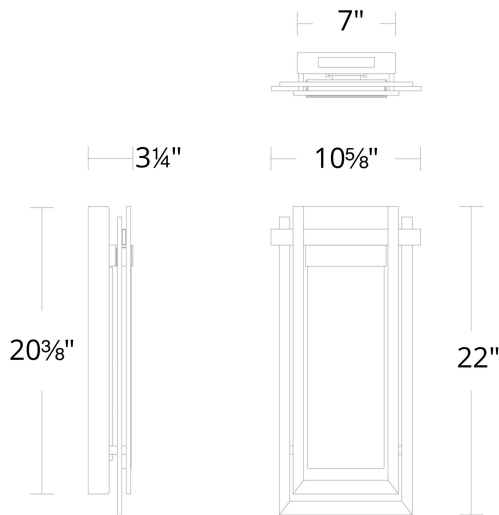
- ACLED driverless technology
- Front and downward illumination
- Artisanal wispy handcrafted glass shade. Each unique piece lends itself to slight variations.

SPECIFICATIONS

Rated Life	54000 Hours
Standards	ETL, cETL,Wet Location Listed,Title 24 JA8: 2019 Compliant
Input	120V AC,50/60Hz
Dimming	ELV: 100-5%,TRIAC: 100-5%
Color Temp	3000K
CRI	90
Construction	Extruded aluminum frame and hand crafted pressed glass shade

REPLACEMENT PARTS

RPL-GLA-64322 - Replacement Glass



WS-W64322

Model & Size	Color Temp	Finish	LED Watts	LED Lumens	Delivered Lumens
WS-W64322 22"	3000K	BK Black	17.7W	1072	587

Example: **WS-W64322-BK**

For custom requests please contact customs@modernforms.com