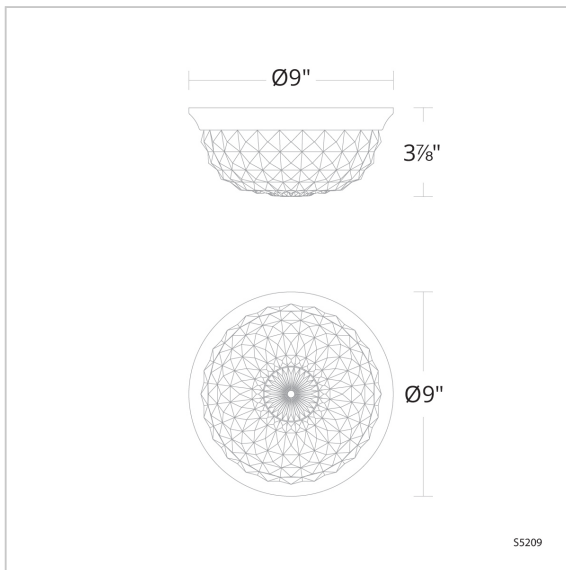


Genoa

S5209



LINE DRAWING



DESCRIPTION

Synchronizing the rhythm of light, Genoa masterfully optimizes for brilliance with patented techniques that efficiently scatter bright LED point sources for visual delight. The crystal facets are polished to crispness to showcase its perfect optical clarity.

FEATURES

- Built in color temperature adjustability. Switch from 3000K/3500K/4000K.
- Can be mounted on ceiling or wall in all orientations

CRYSTAL OPTIONS



Optic Crystal
(O)

FINISH OPTIONS



Aged Brass
(-700)



Polished
Chrome
(-702)

SPECIFICATIONS

Light Source	LED
CRI	90
Dimming	ELV, Triac
Standards	ETL/cETL, Title 24

REPLACEMENT PARTS

- RPL-GLA-5209-02 - Inner Glass Shade
- RPL-GLA-5209-01 - Outer Glass Shade

Model	Finish	Crystal	Size	CCT	Weight	Voltage	Wattage	LED Lumens	Delivered Lumens
S5209	- 700 - 702	O	9"	3000K/3500K/ 4000K	4.6lbs	120V	12W	1383	Up To 1115

Example: S5209-7000