

# FORGE GRANDE SHORT PENDANT

VISUAL COMFORT & CO.

## PRODUCT FEATURES

- Large Scale Spun Metal Shades that works well over tables, kitchen islands, bars and a host of other applications
- Available in modern finishes
- This item is made of natural brass. It is a living finish that will patina and warm with age which adds richness. If it gets an uneven patina or spots, a brass cleaner can restore the finish
- Fully dimmable LED lamping to create the desired ambiance
- Fixture provided with six feet of field-cutttable lazy black cloth cord
- Protected by a 1-year warranty. please visit the "About Us" Page on [techlighting.com](http://techlighting.com) for more for warranty details

## LAMPING

Includes 19 watts, 760 total delivered lumens, 2700K LED modules. Dimmable with most LED compatible ELV, TRIAC and 0-10V dimmers. Ships with 14 feet of field-cutttable black cloth cord. 120V-277V.



Nightshade Black/Natural Brass



Nightshade Black/Natural Brass      Matte White/Natural Brass

## ORDERING INFORMATION

SLPD131	COLOR TEMP	COLOR	FINISH
	27 2700K	W MATTE WHITE B NIGHTSHADE BLACK	NB NATURAL BRASS

SLPD131 \_\_\_\_\_

JOB NAME \_\_\_\_\_

NOTES \_\_\_\_\_

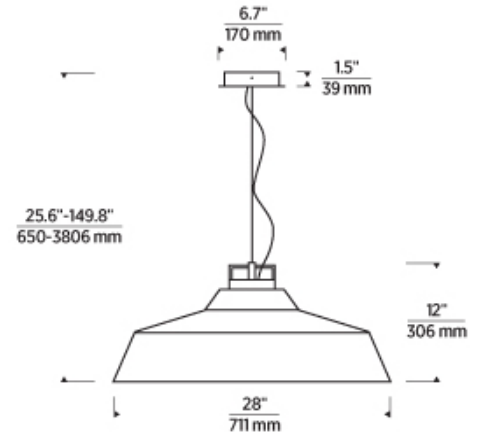


# FORGE GRANDE SHORT PENDANT

VISUAL COMFORT & Co.

## SPECIFICATIONS

PRIMARY MATERIAL	Brass
SHADE MATERIAL	Aluminum
NET WEIGHT	21.5 lbs
HEIGHT	12in
WIDTH	28in
LENGTH	28in
UP LIGHT / DOWN LIGHT / BOTH?	
WET LISTED	
DAMP LISTED	
DRY LISTED	
MIN. HANGING HEIGHT	25.6in
MAX HANGING HEIGHT	149.8in
TOTAL CORD LENGTH	144in
TOTAL STEM LENGTH	
STEM QTY	
SLOPED CEILING ADAPTABLE?	Yes 45° Max
GENERAL LISTING	ETL Listed
INCLUDES	



## LAMPING SPECIFICATIONS

	LED LAMP	INTEGRATED LED	NON LED	NO LAMP
DELIVERED LUMENS		760		
WATTS		19		
MAX WATTAGE PER BULB		19W		
		Universal 120V-277V 0-10, ELV, TRIAC		
CCT		2700K		
CRI		90 CRI		
LED LIFETIME		>50000		
L70				
AVERAGE BULB HOURS				
FIELD SERVICEABLE LED				
LAMP BASE		Integrated LED		
LAMP SHAPE		Integrated LED		
LAMP INCLUDED?		True		
WARRANTY**		5 Years		

\* Dimming information available at [www.techlighting.com/Downloads#dimming](http://www.techlighting.com/Downloads#dimming)

\*\* Visit [techlighting.com](http://techlighting.com) for specific warranty limitations and details.

## T20 / T24 / JA8 INFORMATION

	Integrated LED	Replacement LED Lamp	No Lamp *
This product can be used to comply with California Building Energy Efficiency Standards 2016 Title 24 Part 6 / JA8.	Yes		
This product can be used to comply with California Appliance Efficiency Standards 2016 Title 20 and may be shipped to and sold in California.			

\* If a light fixture or component does not include a lamp or light source, it is the responsibility of the customer to select a lamp that meets the T24 and T20 requirements.

