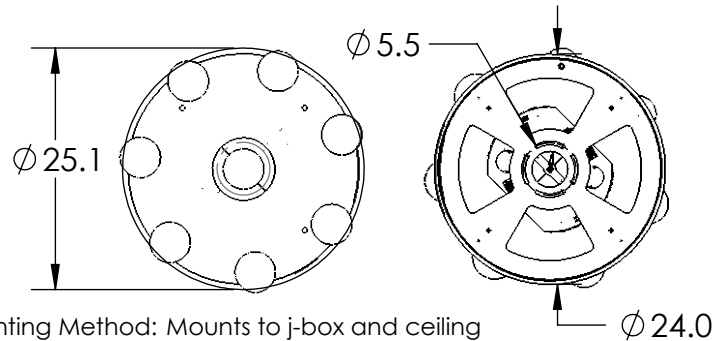
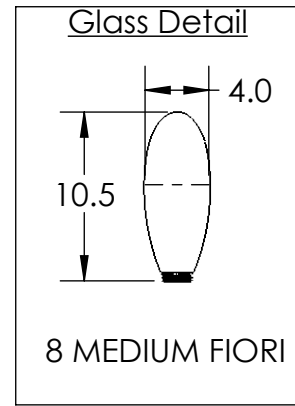
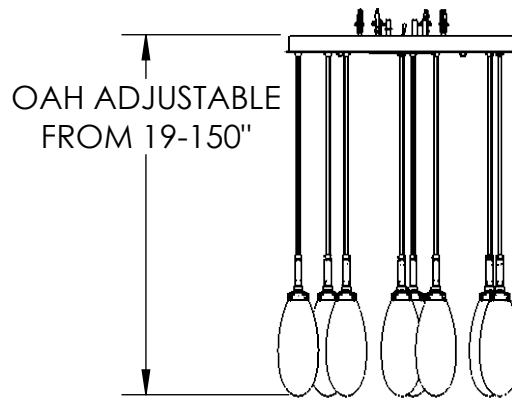


All dimensions are shown in inches unless otherwise stated.



Mounting Method: Mounts to j-box and ceiling

**PRODUCT DESCRIPTION**

Lustrous white buds of artisan blown glass offer a playful reinterpretation of mid-century style in this 8-light pendant chandelier with a round canopy. Integrated LED light gives the glass a rich luster and opacity that's reminiscent of mid-century Italian art glass.

**PRODUCT SPECIFICATION**

Construction: Steel Canopy, Cloth Cord, Blown Glass

Finish Options: BS MB FB GB CS GP BB NB SN GM RB HB

Glass Options: White Glass

Suspension Method: Ceiling Mount

Weight(lbs.): 38

UL Rating: DRY

Top Diffuser: N/A

Bottom Diffuser: GLASS

Light Source: LED

Electrical Qty: 8

Wattage (Watts):42

Voltage (Volts): 120

Source Lumens: 2735

Dimming: Forward/Reverse Phase to 1%

CCT: 2700/3000K

Driver Quantity & Location: 2, in Canopy

CRI: 93+

Power Factor: >0.9

\*Translucent finish upgrade available for additional charge

SCAN FOR MORE INFORMATION

Notes:

**GENERAL NOTES:**

Visit [studio.hammerton.com](http://studio.hammerton.com) to read about our Lifetime Limited Warranty.

This product may use mixed materials (steel and aluminum) in its construction. Transparent finishes may vary between steel and aluminum.

All Hammerton fixtures are handcrafted by artisans. Subtle imperfections reflect the mark of the artisan and should be expected in any handcrafted product. Dimensions may vary up to 7/8".

Rev © 9/27/2022