

FIENILE

Design Daniel Rybakken, 2019



- Type: Suspension
- Lamps: LED 55W @ 3000K, CRI 90 2260 lm delivered dimmable 0-10V
- Product use: Indoor. Body rotates to deliver direct or indirect light.
- Materials: Aluminium structure and PMMA screen
- Colors: Dark grey and white
- Description: A light suspension structure that incorporates a powerful LED light to illuminate the underlying plane and that integrates into any environment. Multiple configurations are possible.

Marking: cUL us

One Complete fixture with surface mounted canopy:

D98SC1	1D980SC10505	dark grey	LED 55W 3000K
	1D980SC10502	white	

One fixture body only (to use with remote driver box):

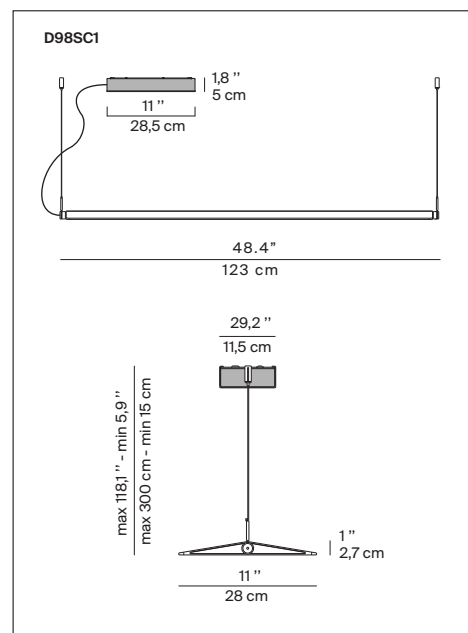
D98SC5	1D980SC50505	dark grey	LED 55W 3000K
	1D980SC50502	white	

Bodies for double configurations

Initial fixture			
D98SC2	1D980SC20005	dark grey	LED 55W 3000K
	1D980SC20002	white	
Terminal fixture			
D98SC4	1D980SC40005	dark grey	LED 55W 3000K
	1D980SC40002	white	

canopies and remote driver boxes

D98/4	1D980/040500	surface mounted canopy for 2 fixtures dimmable 0-10V
D98/6	1D980/060500	remote driver box for 1 or 2 fixtures dimmable 0-10V



Other possible configurations besides the complete fixture:

1) Single Body + Remote Driver

D98SC5



+

D98/6

remote driver box
for 1 or 2 fixture
dimmable 0-10V

2) Two Bodies + surface mounted canopy

A initial fixture

B terminal fixture

D98SC2

D98SC4

D98/4



+

canopy for 2 fixtures
dimmable 0-10V

3) Two Bodies + remote driver

A initial fixture

B terminal fixture

D98SC2

D98SC4

D98/6



+

remote driver box
for 1 or 2 fixture
dimmable 0-10V

