

# FIELD LARGE SCONCE

VISUAL COMFORT & CO.

## PRODUCT FEATURES

- Clean, modern geometries and intersections serve as a modern nod to postmodern design styles.
- Recessed (integrated) light sources emit light from the tubular elements of each design onto flat reflecting surfaces.
- Each minimalistic design comprises pure, rounded geometries and clean intersections between them.
- Modern finishes available

## LAMPING

Includes 10.8 watt, 594 delivered lumens, 2700K LED module.  
Dimmable with most LED compatible ELV, TRIAC and 0-10V dimmers.  
Mounts vertically or horizontally. 120V-277V.



Natural Brass



Natural Brass



Soft White

## ORDERING INFORMATION

KWWS217	COLOR TEMP	FINISH
	27 2700K	NB NATURAL BRASS W SOFT WHITE

KWWS217

JOB NAME

NOTES



© 2019 Tech Lighting, L.L.C. All rights reserved. The "Tech Lighting" graphic is a registered trademark of Tech Lighting, L.L.C.  
Tech Lighting reserves the right to change specifications for product improvements without notification.

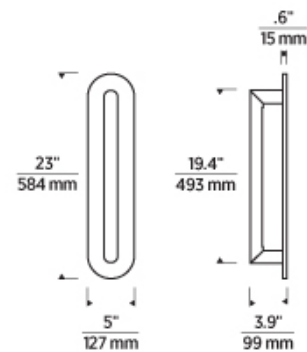
7400 Linder Avenue, Skokie, IL 60077  
T 847.410.4400 | F 847.410.4500 | techlighting.com

# FIELLE LARGE SCONCE

VISUAL COMFORT & Co.

## SPECIFICATIONS

PRIMARY MATERIAL	Steel Or Brass
SHADE MATERIAL	Acrylic
NET WEIGHT	5 lbs
HEIGHT	23in
WIDTH	3.9in
LENGTH	5in
MIN. EXTENSION FROM WALL	3.9in
UP LIGHT / DOWN LIGHT / BOTH?	
WET LISTED	
DAMP LISTED	
DRY LISTED	
UP / DOWN	
HORIZONTAL / VERTICAL	
WALL / CEILING MOUNT	
GENERAL LISTING	ETL Listed
ADA COMPLIANT	
INCLUDES	



## LAMPING SPECIFICATIONS

	LED LAMP	INTEGRATED LED	NON LED	NO LAMP
DELIVERED LUMENS		594		
WATTS		10.8		
MAX WATTAGE PER BULB		10.8W		
		Universal 120V-277V 0-10, ELV, TRIAC		
CCT		2700K		
CRI		90 CRI		
LED LIFETIME				
L70		>50000		
AVERAGE BULB HOURS				
FIELD SERVICEABLE LED				
LAMP BASE		Integrated LED		
LAMP SHAPE		Integrated LED		
LAMP INCLUDED?		True		
WARRANTY**		5 Years		

\* Dimming information available at [www.techlighting.com/Downloads#dimming](http://www.techlighting.com/Downloads#dimming)

\*\* Visit [techlighting.com](http://techlighting.com) for specific warranty limitations and details.

## T20 / T24 / JA8 INFORMATION

	Integrated LED	Replacement LED Lamp	No Lamp *
This product can be used to comply with California Building Energy Efficiency Standards 2016 Title 24 Part 6 / JA8.	Yes		
This product can be used to comply with California Appliance Efficiency Standards 2016 Title 20 and may be shipped to and sold in California.			

\* If a light fixture or component does not include a lamp or light source, it is the responsibility of the customer to select a lamp that meets the T24 and T20 requirements.

