

PRODUCT FEATURES

- Clean, modern geometries and intersections serve as a modern nod to postmodern design styles.
- Recessed (integrated) light sources emit light from the tubular elements of each design onto flat reflecting surfaces.
- Each minimalistic design comprises pure, rounded geometries and clean intersections between them.
- This item is made of natural brass. It is a living finish that will patina and warm with age which adds richness. If it gets an uneven patina or spots, a brass cleaner can restore the finish
- Modern finishes available



Natural Brass

LAMPING

Includes 26 watt, 1386 delivered lumens, 2700K LED module.
 Dimmable with most LED compatible ELV, TRIAC and 0-10V dimmers.
 Mounts vertically or horizontally. 120V-277V.



Natural Brass



Soft White

ORDERING INFORMATION

KWWS218	COLOR TEMP	FINISH
	27 2700K	NB NATURAL BRASS W SOFT WHITE

KWWS218 _____

JOB NAME _____

NOTES _____

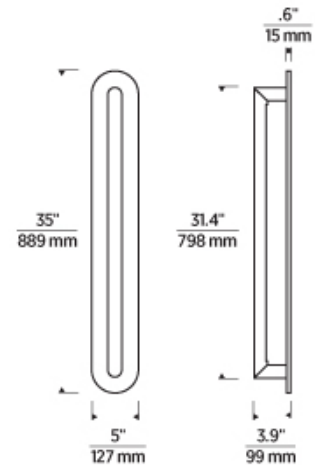


FIELD X-LARGE SCONCE

VISUAL COMFORT & Co.

SPECIFICATIONS

PRIMARY MATERIAL	Steel Or Brass
SHADE MATERIAL	Acrylic
NET WEIGHT	9.5 lbs
HEIGHT	35in
WIDTH	3.9in
LENGTH	5in
MIN. EXTENSION FROM WALL	3.9in
UP LIGHT / DOWN LIGHT / BOTH?	
WET LISTED	
DAMP LISTED	
DRY LISTED	
UP / DOWN	
HORIZONTAL / VERTICAL	
WALL / CEILING MOUNT	
GENERAL LISTING	ETL Listed
ADA COMPLIANT	
INCLUDES	



LAMPING SPECIFICATIONS

	LED LAMP	INTEGRATED LED	NON LED	NO LAMP
DELIVERED LUMENS		1386		
WATTS		26		
MAX WATTAGE PER BULB		26W		
		Universal 120V-277V 0-10, ELV, TRIAC		
CCT		2700K		
CRI		90 CRI		
LED LIFETIME				
L70		>50000		
AVERAGE BULB HOURS				
FIELD SERVICEABLE LED				
LAMP BASE		Integrated LED		
LAMP SHAPE		Integrated LED		
LAMP INCLUDED?		True		
WARRANTY**		5 Years		

* Dimming information available at www.techlighting.com/Downloads#dimming

** Visit techlighting.com for specific warranty limitations and details.

T20 / T24 / JA8 INFORMATION

	Integrated LED	Replacement LED Lamp	No Lamp *
This product can be used to comply with California Building Energy Efficiency Standards 2016 Title 24 Part 6 / JA8.	Yes		
This product can be used to comply with California Appliance Efficiency Standards 2016 Title 20 and may be shipped to and sold in California.			

* If a light fixture or component does not include a lamp or light source, it is the responsibility of the customer to select a lamp that meets the T24 and T20 requirements.

