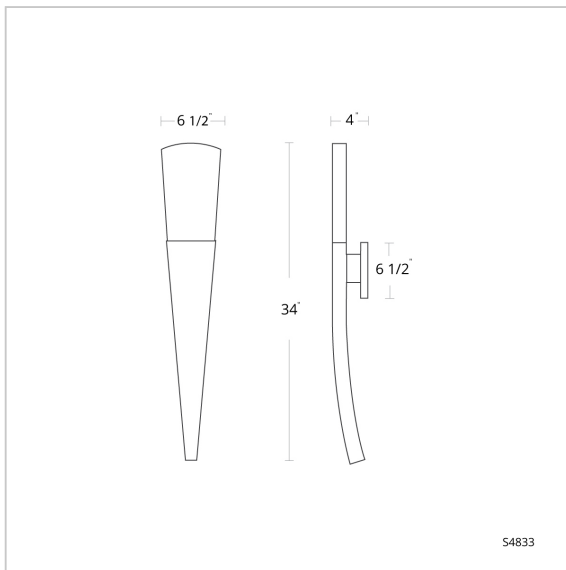


# Embrace

## S4833



### LINE DRAWING



### DESCRIPTION

Envision icy comets with long trailing tails of cosmic matter moving across the night sky. Graduated to suggest orbital motion, swathes of metal forms are punctuated with heavenly blocks of Optic Haze Quartz and invisibly suspended from powered aircraft cables.

### FEATURES

- Optic Haze™, made of natural quartz, has unique variations in luster, hue, patterning and texture inherent to this material. When illuminated, the dimension of the crystal is beautifully accented.
- Color temperature adjustability switch from 3000K/3500K/4000K at time of installation
- Driver concealed within the canopy

### CRYSTAL OPTIONS



Optic Haze  
Quartz  
(OH)

### FINISH OPTIONS



Black  
(-18)



Aged Brass  
(-700)

### SPECIFICATIONS

Light Source	LED
CRI	90
Dimming	ELV, Triac
Standards	ETL/cETL, Title 24,

### REPLACEMENT PARTS

RPL-GLA-4833 - Replacement Glass for S4833

Model	Finish	Crystal	Size	CCT	Weight	Voltage	Wattage	LED Lumens	Delivered Lumens
S4833	- 18 - 700	OH	34"	3000K/3500K/ 4000K	9lbs	120V-277V	28W	3350	Up To 2010

Example: S4833-18OH