

WAC LIGHTING

Double Entendre

Pendant 4CCT

Fixture Type: _____

Catalog Number: _____

Project: _____

Location: _____

Model & Size	Color Temp	Finish	LED Watts	LED Lumens	Delivered Lumens
PD-81442 42"	2700K	BK/AB Brass	33 W	2902	1386
	3000K		33 W	2902	1386
	3500K		33 W	2902	1386
	4000K		33 W	2902	1386

Example: **PD-81442-40-BK/AB**

For custom requests please contact customs@wacighting.com

DESCRIPTION

Double vision. The slim, dual-toned design of the airy rectangular framework floats effortlessly in mid-air while providing twice the amount of warm, LED down light.

FEATURES

- Low profile, adjustable powered aircraft cables for an ultra-clean look
- May be mounted on slope ceiling
- Built in color temperature adjustability. Switch from 2700K/3000K/3500K/4000K
- Rectangular canopy with minimal hardware
- Driver concealed within the canopy

SPECIFICATIONS

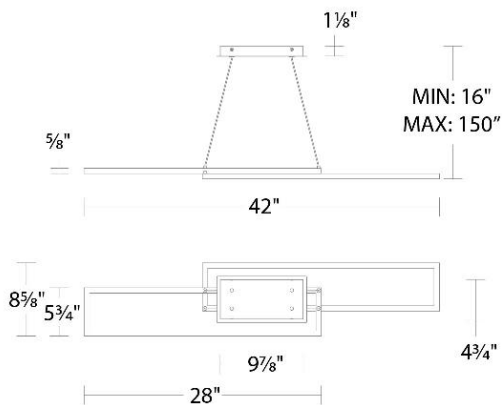
Color Temp:	2700K,3000K,3500K,4000K
Input:	120-277V,50/60Hz
CRI:	90
Dimming:	ELV: 100-10% ,TRIAC: 100-5%
Rated Life:	50000 Hours
Standards:	ETL, cETL Damp Location Listed
Construction:	Aluminum body, silicone diffuser



FINISHES:

Black/Aged
Brass

LINE DRAWING:



PD-81442