

CATHEDRAL LARGE PENDANT

VISUAL COMFORT & CO.

PRODUCT FEATURES

- Sleek and beautiful this mid-century modern inspired pendant light will enhance any decor with its chic style.
- This item is made of natural brass. It is a living finish that will patina and warm with age which adds richness. If it gets an uneven patina or spots, a brass cleaner can restore the finish
- Fully dimmable LED lamping option allows you to create your desired ambiance
- Includes (2) 6" and (4) 12" rigid stems in coordinating finish.
- Modern finishes available

LAMPING

Includes 120-277 volt universal, 10.7 watt, 536 delivered lumens, 2700K, 90 CRI LED module. Dimmable with most LED compatible ELV, TRIAC and 0-10V dimmers. Includes (2) 6" and (4) 12" rigid stems in coordinating finish. Can be installed on a sloped ceiling up to 22.5°



Natural Brass



Natural Brass

Dark Bronze

ORDERING INFORMATION

SLPD316	COLOR TEMP	COLOR	FINISH
	27 2700K	C CLEAR	BZ DARK BRONZE NB NATURAL BRASS

SLPD316 _____

JOB NAME _____

NOTES _____

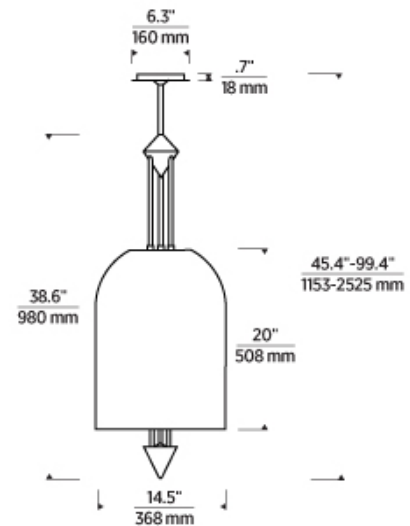


CATHEDRAL LARGE PENDANT

VISUAL COMFORT & Co.

SPECIFICATIONS

PRIMARY MATERIAL	Brass
SHADE MATERIAL	Glass
NET WEIGHT	28 lbs
HEIGHT	38.6in
WIDTH	14.5in
LENGTH	14.5in
UP LIGHT / DOWN LIGHT / BOTH?	
WET LISTED	
DAMP LISTED	
DRY LISTED	
MIN. HANGING HEIGHT	45.4in
MAX HANGING HEIGHT	99.4in
TOTAL CORD LENGTH	
TOTAL STEM LENGTH	Up to 60in
STEM QTY	6
SLOPED CEILING ADAPTABLE?	Yes 22.5° Max
GENERAL LISTING	ETL Listed
INCLUDES	



LAMPING SPECIFICATIONS

	LED LAMP	INTEGRATED LED	NON LED	NO LAMP
DELIVERED LUMENS		536		
WATTS		10.7		
MAX WATTAGE PER BULB		10.7W		
		Universal 120V-277V 0-10, ELV, TRIAC		
CCT		2700K		
CRI		90 CRI		
LED LIFETIME		>50000		
L70				
AVERAGE BULB HOURS				
FIELD SERVICEABLE LED				
LAMP BASE		Integrated LED		
LAMP SHAPE		Integrated LED		
LAMP INCLUDED?		True		
WARRANTY**		5 Years		

* Dimming information available at www.techlighting.com/Downloads#dimming

** Visit techlighting.com for specific warranty limitations and details.

T20 / T24 / JA8 INFORMATION

	Integrated LED	Replacement LED Lamp	No Lamp *
This product can be used to comply with California Building Energy Efficiency Standards 2016 Title 24 Part 6 / JA8.	Yes		
This product can be used to comply with California Appliance Efficiency Standards 2016 Title 20 and may be shipped to and sold in California.			

* If a light fixture or component does not include a lamp or light source, it is the responsibility of the customer to select a lamp that meets the T24 and T20 requirements.

