

# BUTLER

Designed by Luigi Vittorio Cittadini



Pendant, floor and table lampshade  
Compatible with E26 / E27



Flip 180°



#### DIMENSIONS

Ø: 30 cm / 11.8"  
H: 12.9 cm / 5.1"



#### MATERIAL

Glass and steel



#### WEIGHT INCL. PACKAGING

2.5 kg / 5.5 lb



#### LIGHT SOURCE

E26 / E27 - max 15W LED opal glass (not included)



#### PACKAGING DIMENSIONS (L x W x H)

14.1 x 14.1 x 15.7 cm / 5.6 x 5.6 x 6.2"



#### ASSEMBLY TIME

5 min



#### MEDIA KIT

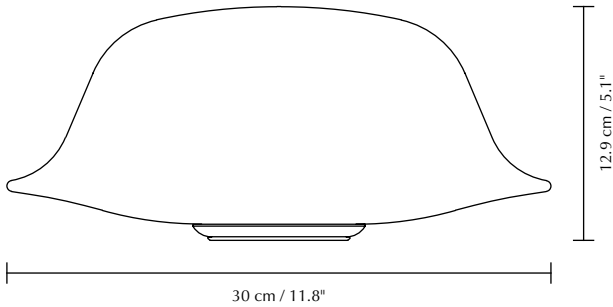
Photos and press material  
Download at [umage.presscloud.com](https://umage.presscloud.com)



#### ORDERING INFORMATION

Butler

#2510



Colour variations



white

#### RECOMMENDED ACCS.

Santé floor #4035 / #4036 / #4037 / #4038  
Santé table #4045 / #4046 / #4050 / #4052  
Santé wall #4251 / #4252 / #4253 / #4254

  
UMAGE

# BUTLER

Designed by Luigi Vittorio Cittadini



The Butler lampshade is made from mouth-blown opal glass and with a shape that can be interpreted in many different ways, Butler is a tribute to the French novel - Le Petit Prince. Its milky white look and diverting shape will add a soft yet bold expression to the interior while lighting up the surrounding room in a stylish and cosy manner.

Pair Butler with our Santé table lighting stand to create the ideal lamp for your desk or your bedside table or hang it upside down in one of the UIMAGE cord sets to unlock a new interpretable shape and create an entirely new expression. You can also combine it with one of our floor lighting stands and let it light up a corner of your home. With the Butler lampshade, only your imagination is the limit.

Please note that with all handmade products, minor imperfections can appear. The beautiful irregularities make each piece unique and are a natural consequence of handmade designs

*Find more info on our website [umage.com](https://umage.com)*

