

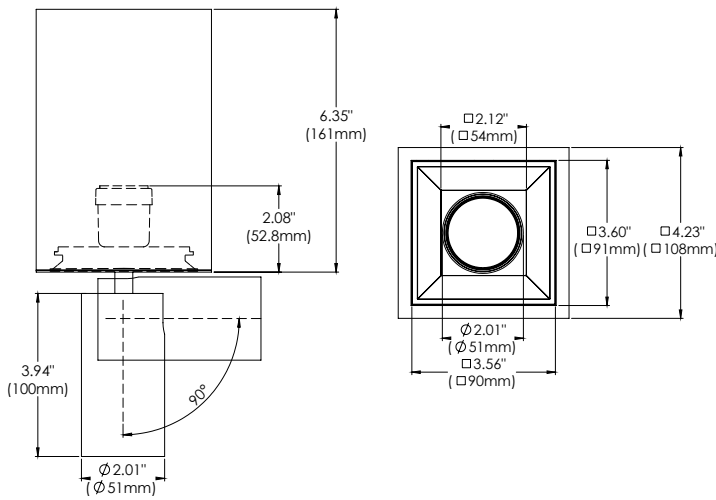


FEATURES

The Bravo collection features a sharp sleek design, no matter the type of fixture you choose within this collection. Whether you choose both Bravo ceiling mount luminaries and Bravo recessed mount fixtures, there will be a harmonious integration throughout the room. Bravo ceiling mount fixtures are available in 3 body sizes and can be outfitted with 6 different modules that can be used for various applications and installations.

SPECIFICATIONS

FIXTURE BODY	18 gauge powder coated steel body. Aluminum powder coat painted. Standard in white or black finish. Other finishes consult factory
INSTALLATION TYPE	Mounts over octagon box (not included)
COLOR FINISH	Black/White/Custom
LIGHT MODULE	High output, high efficiency LED COB Lumen Maintenance: 70%@50,000 hrs
INPUT VOLTAGE	120V - 277V
WATTAGE	15W
POWER SUPPLY	ERP 15W, Constant Current 350mA power supply Minimum operating temperature: -30° Enclosed inside housing comes with Quick Connect to light module
ADJUSTABILITY	90°
CRI	90+
DIMMING	TRIAC/ELV/0-10V
DELIVERED LUMENS	15W, 830 Lumens
CCT OPTIONS	3000K/4000K
REFLECTOR	(N) Narrow 15°
APPROVAL	Damp
ELECTRICAL APPROVAL	Compliant
WARRANTY	



SPECIFICATION GUIDE

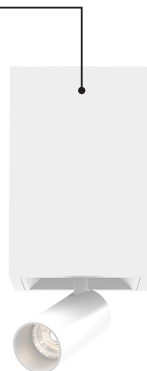
BRAVO	SURFACE MOUNT	1-LIGHT	FINISH		LIGHT MODULE x 1		WATTAGE		CCT
BVO	S	1	01	BLACK	ST	SPOT	15	15W	30
			02	WHITE					40

ORDERING GUIDE EXAMPLE:
 Bravo / Surface Mount / 1-Light / White / Spot
 15W / 3000K / 15°
CODE: BVO-S-1-02-ST-15-30

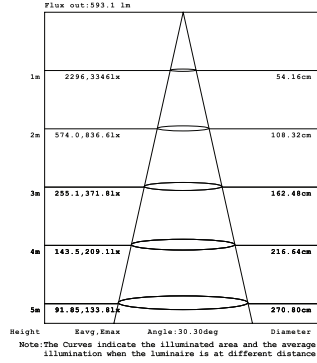
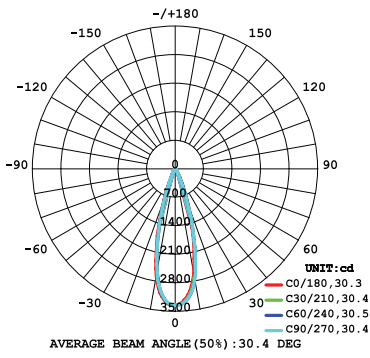
DRIVERS

- Compatible with TRIAC (forward-phase or leading-edge) ELV (reverse-phase or trailing edge) and 0-10V dimmers.
- ESSxxxW models: TRIAC and ELV dimming only at 120 Vac
- ESSxxxW models: ELV dimming only at 230 Vac
- 90° C maximum case hot spot temperature
- Class 2 power supply
- Lifetime: 50,000 hours at 70° case hot spot temperature (some models have a higher lifetime)
- IP64-rated (IP66 for ESST) case with silicone-based potting
- Protections: Output open load, over-current and short-circuit (hiccup), and over-temperature with auto recovery.
- Conducted and radiated EMI: Compliant with FCC CFR Title 47 Part 15 Class B (120 Vac) and Class A (277 Vac), and EN55015 (CISPR 15) at 220, 230, and 240 Vac.
- Complies with ENERGY STAR®, DLC (DesignLight Consortium®) and CA Title 24 technical requirements
- Worldwide safety approvals

LED Driver Enclosed

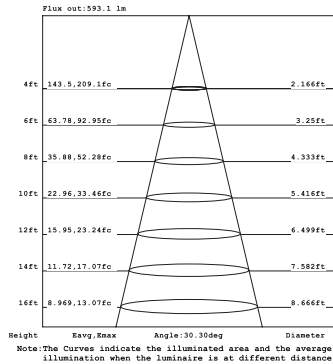
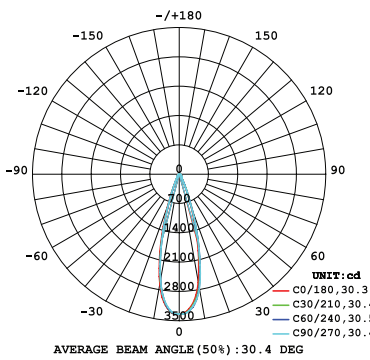


(Metric)



15W- 1-LIGHT SPOT NARROW

(Imperial)



15W- 1-LIGHT SPOT NARROW