

ARNOLD TR19021-5CCT-UNV-010

TRACK

PROJECT



TR19021-BK-5CCT-
UNV-010
Black

SPECIFICATION DETAILS

| | |
|-------------------------------|---|
| Fixture Dimensions | L20-1/8" x W4-3/4" x H4-3/8" |
| Light Source | LED with DC Driver |
| Wattage | 30W |
| Total Lumens | 3150lm |
| Delivered Lumens | 2244lm |
| Voltage | 120-277V |
| Color Temperature | Selectable CCT 2700K/3000K/3500K/4000K/5000K |
| CRI (Ra) | 90CRI |
| LED Rated Life | 50,000 hours |
| Dimming | 100% - 10%, TRIAC or ELV Dimmer (Not Included) or 0-10V Dimmer (Not Included) |
| Diffuser Details | Clear Acrylic TIR Optics |
| Location | Damp |
| Illumination Direction | Down |
| Mounting Style | Ceiling Only |
| CEC Title 24 JA8 | Yes, JA8-2022 |
| Canopy Dimensions | L4-3/4" x W4-3/4" x H3/8" |
| Material | Aluminum + Steel |
| Paint Finish | BK01 |

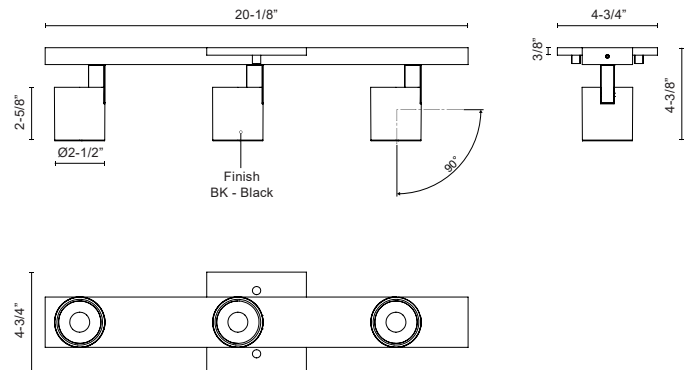
* For custom options, consult factory for details.

* For warranty information, please visit www.kuzcolighting.com/warranty

DESCRIPTION

Elevate your space with the Arnold fixed track collection. Featuring three or five cylinder models seamlessly integrated onto a sleek backplate. Arnold brings a touch of contemporary style any room with its refined, adjustable design for task lighting that suits the needs of your space.

- Sleek, modern design
- Adjustable heads
- Matte Black finish
- Integrated LED, no need for bulbs



KUZCO

CANADA: 19054 28TH AVENUE - SURREY, BC V3Z 6M3
USA: 3035 E. LONE MOUNTAIN ROAD - LAS VEGAS, NV 89081

WWW.KUZCOLIGHTING.COM

© 2024 KUZCO LIGHTING. ALL RIGHTS RESERVED.

COMMENT

