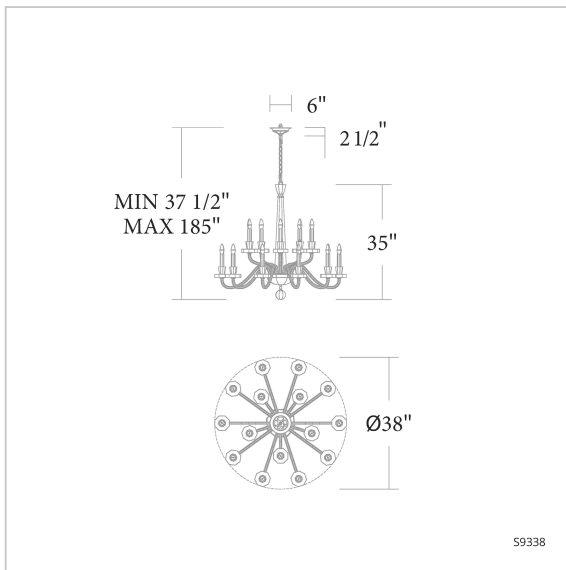


Amadeus

S9338



LINE DRAWING



DESCRIPTION

Reaching into the archives, what was old becomes new again. Amadeus narrowly escaped communist eradication to be reborn today. In honor of the bravery of the 3rd generation Schonbek family that smuggled this design into the Americas, we are proud to present this stunning revival.

FEATURES

- A two-tier symphony of cast arms surround a stunning column of Optic Haze™ Quartz.
- Optic Haze™, made of natural quartz, has unique variations in luster, hue, patterning and texture inherent to this material. When illuminated, the dimension of the crystal is beautifully accented.
- Can be mounted on a sloped ceiling.

AVAILABLE TRIM



Optic Haze
Quartz
(OH)

AVAILABLE FINISHES



Heirloom
Gold
(-22)



Antique Silver
(-48)



Black
(-51)



French Gold
(-26)
Premium



Heirloom
Bronze
(-76)
Premium



Etruscan
Gold
(-23)
Premium

SPECIFICATIONS

Light Source Standards Incandescent
UL/cUL

Model	Finish	Crystal	# of Lights	Voltage	Height	Width	Length	Weight
S9338	- 22 - 23 - 26 - 48 - 51 - 76	OH	15 Light	120V	35"	38"	38"	58lbs

Example: S9338-22OH