



US CLOUDY
Dima Loginoff

Suspended lamp with steel and aluminum frame and diffusers in plastic material with elastic and removable fabric cover. Available in white colour. Built-in dimmable LED light source.

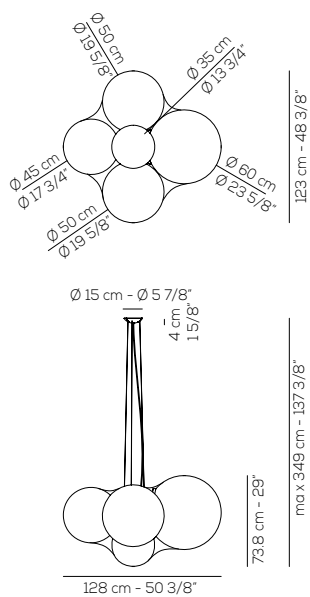
Typology: suspended

Ratings

- Built in **LED** module
- CCT 3000 K
- diffused beam
- Surface installation over holes
- Supply voltage ~110-240V
- Switch mode: on-off
- Aluminum-Steel body

US CLOUDY

lb 30.86 ft³ 24.71



Product code composition

CLOUDY

Type	Article	Colours	Finishings	Source
US	CLOUDY	BC white	XX white	LED 92W - diffused beam 3000K*, 2700K

DRY LOCATION CRI>90

 dimmable 0/1-10V
 110-240VAC **LED** ~7602 lm* ~87 lm/W*

example composition code US CLOUDY BC XX LED

Available colors



White

USCLUDYBCXXLED

CUSTOMER _____

NOTES _____

NOTICE: Luminous flux (lm) and efficacy (lm/W) for all built in LED luminaires is based on nominal ratings of the LED sources. Technical data could be subject to alteration without notice. Axo Light does not provide legal guarantee for the accuracy of this data sheet.