

**DUNE  
VL19931  
VANITY**

PROJECT

**DESCRIPTION**

Multiple spun aluminum cones are connected inline and direct light downwards from the geometric linear pendant. The Dune series utilizes classic minimalist lamp shapes yet in reduced scale to elegant effect. The LED spot sources are focused by diminutive reflectors housed within the exquisitely turned shades. Available in multiple configurations and finishes.



VL19931-BN  
Brushed Nickel

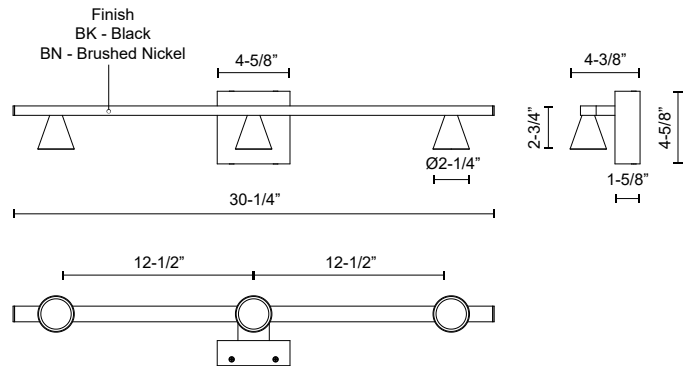


VL19931-BK  
Black

**SPECIFICATION DETAILS**

\* For custom options, consult factory for details.

<b>Fixture Dimensions</b>	W30-1/4" x H2-3/4" x E4-3/8"
<b>Light Source</b>	LED with DC Driver
<b>Wattage</b>	15W
<b>Total Lumens</b>	1425lm
<b>Delivered Lumens</b>	BK-1375lm*
<b>Voltage</b>	120V
<b>Color Temperature</b>	3000K
<b>CRI (Ra)</b>	90CRI
<b>Optional Color Temps</b>	2700K - 5000K Available, Minimum Order Quantities Apply
<b>LED Rated Life</b>	50,000 hours
<b>Dimming</b>	100% - 10%, TRIAC or ELV Dimmer (Not Included)
<b>Diffuser Details</b>	Parabolic Metalized PC Reflector + Clear Lens
<b>Shade Details</b>	Machined Aluminum Shade
<b>Location</b>	Damp
<b>Warranty</b>	5 Years
<b>Mounting Style</b>	All Orientation; Wall;
<b>CEC Title 24 JA8</b>	Yes, JA8-19
<b>Canopy Dimensions</b>	W4-5/8" x H4-5/8" x E1-5/8"



**KUZCO**

19054 28TH AVENUE  
SURREY - BC V3Z 6M3  
CANADA

WWW.KUZCOLIGHTING.COM

COMMENT

