

UPUL1090
UPUL2090
 Design by Timo Ripatti

Collection consisting of wall lamps, ceiling lamps and suspended lamps in aluminum.
 Available in several colors and sizes.

Typology: WALL, CEILING LAMP

Ratings

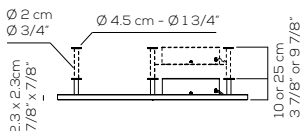
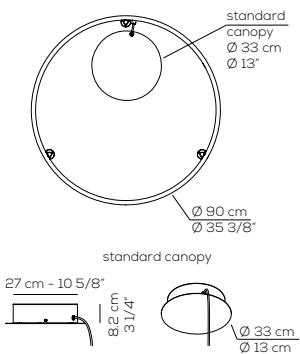
- Built in **LED** module
- CCT 3000 K
- Uplight (towards surface)
- Installs over 4 in. octagonal J-box (support independently)
- Power supply 120/277V AC
- Switch mode: on-off
- Dimmable 1-10V LED driver
- Painted aluminum profile 23 x 23 mm
- Opalescent diffuser

h10cm lb 12.78 ft³ 4.51
 h25cm lb 13.88 ft³ 4.51

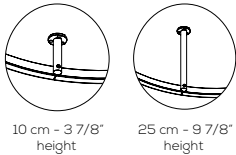
Product code composition

U-LIGHT / h10 cm - 3 7/8" or h25 cm - 9 7/8" ceiling lamp with canopy / DRIVER INCLUDED

Type	Article	Colours	Version	Source
UP	UL 1 090 LED (h10 cm)	AN anthracite grey	XX standard canopy	LED 63W - diffused beam 3000K*, 2700K other CCT available upon request
	UL 2 090 LED (h25 cm)	RU rust brown		



available heights



LED ~ 4904 lm 78 lm/W

Application: both as ceiling (downlight or uplight mounting) or wall lamp (only wallward light).

example composition code UP UL2090LED AN XX

sound absorbing option - see page xxx

Available colors



AN
Anthracite grey

RU
Rust brown

CUSTOMER _____ NOTES _____

UPUL _ 090LED _ _ XX _____

Luminous flux for all built-in LED luminaires is shown at source level.
 Technical data could be subject to alteration without notice. Axo Light does not provide legal guarantee for the accuracy of this data sheet.