

## Simple, stylish fan speed control.

RHDH163PTC/RHDH163PW

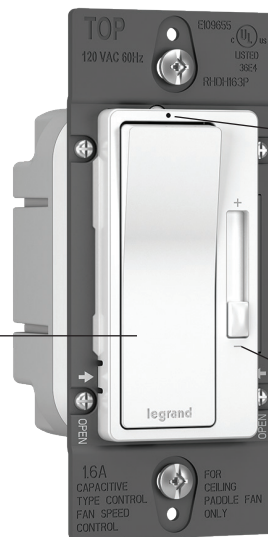
radiant® dimmers and fan controls help save energy simply, and as part of the radiant collection, now offer a better fit, form and finish. This fan control offers a specially designed capacitive circuitry de-hummer feature that virtually eliminates fan motor “hum” for quiet fan speed control.



RHDH163PTC

## Features & Benefits

**Convenient operation:** combines ON/OFF paddle switch with separate slider for dimming control.



**White LED** glows when device is OFF to make dimmer easy to find in the dark.

Sleek, ergonomic design that matches today's styles.

**Wider slide controller:** for easier dimming operation.

RHDH163PW

- **3-speed fan control.**
- **Interchangeable face plates** available in eight colors (RHKIT\*; sold separately).
- **Preset, Single Pole and 3-Way operation.**

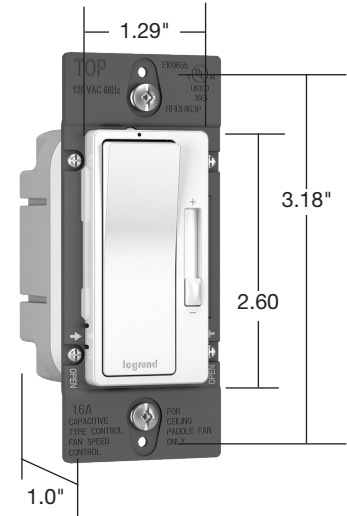
## 3rd Party Compliance

 cULus Listed, Standard UL1472, Standard CSA

**Technical Information**

**Performance**

<b>Electrical</b>	
Supply Voltage	120VAC
Ratings	1.6A
Frequency	60Hz
Installation	Single Pole or 3-Way (Flying Leads)
<b>Environmental</b>	
Application	Indoor Use Only
<b>Mechanical</b>	
Enclosure Material	Polycarbonate



**RHDH163PW**

**Warranty**

Lifetime

## Ordering Information

### radiant® Incandescent Dimmers

Catalog Number	Description	Color	Voltage	Rating
RHDH163PTC	Preset, Single Pole and 3-Way	Three interchangeable Face Colors: Ivory, White, Light Almond	120VAC 60Hz	1.6A
RHDH163PW	Preset, Single Pole and 3-Way	Face Color: White	120VAC 60Hz	1.6A
RHKIT	Interchangeable Faces	Brown		
RHKITBK		Black		
RHKITGRY		Gray		
RHKITI		Ivory		
RHKITLA		Light Almond		
RHKITNI		Nickel		
RHKITW		White		
RHKITDB		Dark Bronze		

---

## Vertical Markets


- Office
- Residential
- Multiple Dwelling
- Hospitality/Lodging

---

## Also available in the radiant® collection

- GFCI Receptacles
- Tamper-Resistant and Standard Duplex Receptacles
- Paddle Switches
- Fan Controls
- Sensors
- Timers
- Home Automation Controls
- USB Charging Devices
- Night Lights
- Screwless Wall Plates

---

 The paper used to print this document is an environmentally responsible paper with 10% post consumer waste, with FSC and SFI Chain of Custody certifications, Lacey Act compliant. 100% of the electricity used to manufacture Flo sheets is generated with Green-e certified renewable energy.

All brand and product names referenced in this document are registered trademarks or trademarks of their respective holders.



**Legrand, North America**  
60 Woodlawn Street  
West Hartford, CT 06110  
1.877.BY.LEGRAND (295.3472)  
[www.legrand.us](http://www.legrand.us)

570 Applewood Crescent  
Vaughan, Ontario L4K 4B4  
905.738.9195  
[www.legrand.ca](http://www.legrand.ca)

FOLLOW US

