

KEPLER PETITE

Arihiro Miyake

Small version of the Kepler lamp only with down light. Suspension lamp in extruded aluminum powder coated. Available versions in white, black and the new gold finish. The continuous line is made through a three-dimensional process of extruded aluminum, designed based on the geometric principle of the Moebius strip. Engineered by Nemo.



DOWNLIGHT 2700K

LAMPING

Source	Linear LED
Total power	50W
Emission	diffused downlight
Switching	dimmable 1-10V
Tension	120V
Color temperature	2700K
Luminous flux	2500lm
Typ CRI	85
Energy class	A+
Dimensions	Ø19.7 x 8.7" H
Materials	aluminium + PC
Notes	adjustable cable length 8.2' max
Net lamp weight	2,9 lbs

Codes

KES LWW 54
KES LNN 54
KES LOW 54

Structure

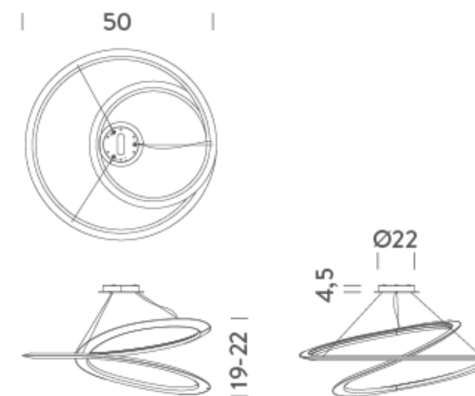
white
black
gold painted

PACKAGE

Package 01

Dimension: 22.8" x 22.8" x 9.5" inches / Gross weight: 6.8 lbs

Certificazioni



DOWNLIGHT 3000K

LAMPING

Source	Linear LED
Total power	50W
Emission	diffused downlight
Switching	dimmable 1-10V
Tension	120V
Color temperature	3000K
Luminous flux	2500lm
Typ CRI	85
Energy class	A+
Materials	aluminium + PC
Notes	adjustable cable length 8.2' max
Net lamp weight	2.9 lbs

Codes

KES LWW 52
KES LNN 52
KES LOW 52

Structure

white
black
gold painted

PACKAGE

Package 01
Dimension: 22.8 x 22.8' x 9.5" inches / Gross weight: 6.8 lbs

Certificazioni

