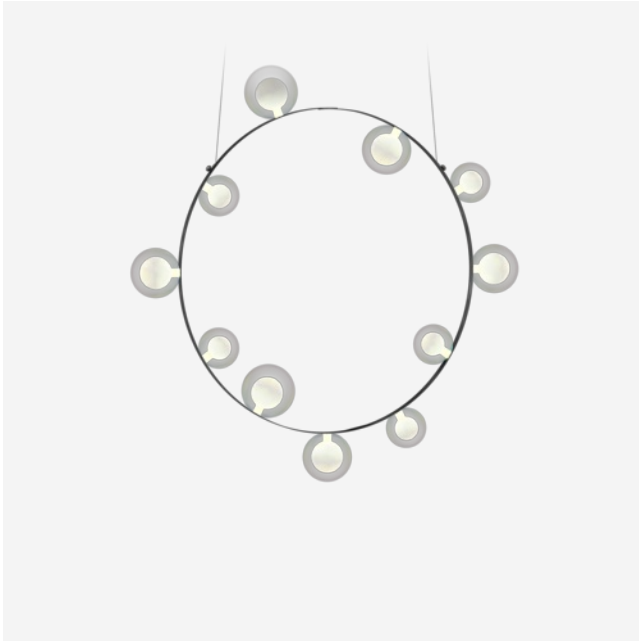


m o o o i

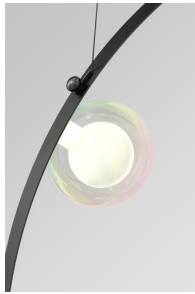
## Hubble Bubble

MARCEL WANDERS | POWERED THROUGH ELECTROSANDWICH® BY MARCEL WANDERS



Hubble Bubble, designed by Marcel Wanders, takes you back to the freedom of blowing bubbles and running barefoot in the open air. Evoke a moment in which a frisky spirit is set free, only to find its way back home with an everlasting memory. These recollections are symbolized in each element of the Hubble Bubble. Available in an oil and a frosted version, this playful design is made from glass, and it can be hung both horizontally and vertically. Freedom is in the air...

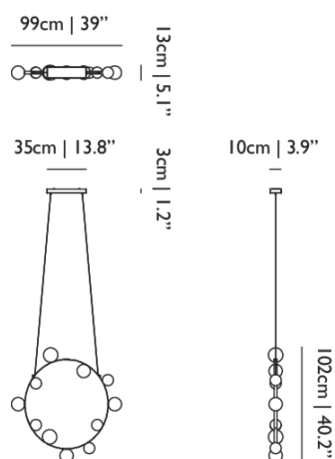
### *Detailing*



This suspension can be hung both horizontally and vertically. Powered through Electrosandwich® technology, it knows endless application possibilities.

### *Hubble Bubble 11*

## Dimensions



## Product

**WIDTH** 99cm | 39"  
**HEIGHT** 102cm | 40.2"  
**DEPTH** 10cm | 3.9"  
**WEIGHT NETTO** 1.5kg | 3.31lbs

## Packaging

**WIDTH** 86.3cm | 34"  
**HEIGHT** 15cm | 5.9"  
**CUBAGE** 0.12m<sup>3</sup> | 4.17ft<sup>3</sup>  
**LENGTH** 91.3cm | 35.9"  
**WEIGHT** 1.5cm | 3.31lbs

## Technical CE

### MATERIAL

Metal frame, plastic light guide, glass bulbs.

### ENERGY LABEL

Energy Label B

### LIGHTSOURCE TYPE

LED

### NUMBER OF LIGHTSOURCES

11

### INPUT VOLTAGE

220-240

### MAX POWER CONSUMPTION

20W

### LAMPHOLDER

LED (Solid state)

### CABLE LENGTH

250cm | 98.4"

### COLOUR TEMPERATUE

2700 K

### LIGHT DIRECTION

All directions

### EEI

0.37

### MEASURED POWER CONSUMPTION

17W

### INSTALLATION REQUIRED

Yes

### LIGHTSOURCE INCLUDED

Yes

### SHAPE

Oval

### FREQUENCY

50/60

### DIMMABLE

Yes

### COLOUR

Transparent with tinned cores

### CANOPY

Matching metal rectangle

### CRI

93

### LIGHT OUTPUT

655 lm

### EFFICIENCY

32.75 lm/W

## Technical cULus

**MATERIAL**

Metal frame, plastic light guide, glass bulbs.

**ENERGY LABEL**

Energy Label B

**LIGHTSOURCE TYPE**

LED

**NUMBER OF LIGHTSOURCES**

11

**INPUT VOLTAGE**

110-130

**MAX POWER CONSUMPTION**

20W

**LAMPHOLDER**

LED (Solid state)

**CABLE LENGTH**

250cm | 98.4"

**COLOUR TEMPERATUE**

2700 K

**LIGHT DIRECTION**

All directions

**EEI**

0.37

**MEASURED POWER CONSUMPTION**

17W

**INSTALLATION REQUIRED**

Yes

**LIGHTSOURCE INCLUDED**

Yes

**SHAPE**

Oval

**FREQUENCY**

50/60

**DIMMABLE**

Yes

**COLOUR**

Transparent with tinned cores

**CANOPY**

Matching metal rectangle

**CRI**

93

**LIGHT OUTPUT**

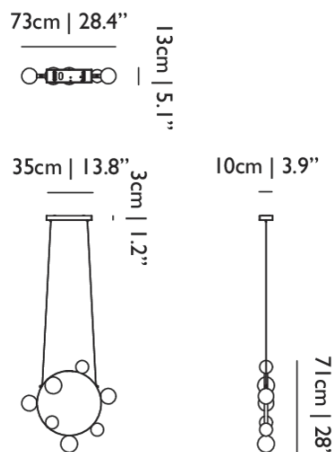
655 lm

**EFFICIENCY**

32.75 lm/W

## Hubble Bubble 7

### Dimensions



### Product

**WIDTH** 73cm | 28.7"  
**HEIGHT** 71cm | 28"  
**DEPTH** 10cm | 3.9"  
**WEIGHT NETTO** 1.2kg | 2.65lbs

### Packaging

**WIDTH** 61cm | 24"  
**HEIGHT** 15cm | 5.9"  
**CUBAGE** 0.06m<sup>3</sup> | 1.97ft<sup>3</sup>  
**LENGTH** 61cm | 24"  
**WEIGHT** 1.2cm | 2.65lbs

## Technical CE

### MATERIAL

Metal frame, plastic light guide, glass bulbs.

### ENERGY LABEL

Energy Label B

### LIGHTSOURCE TYPE

LED

### NUMBER OF LIGHTSOURCES

7

### INPUT VOLTAGE

220-240

### MAX POWER CONSUMPTION

10W

### LAMPHOLDER

LED (Solid state)

### CABLE LENGTH

250cm | 98.4"

### COLOUR TEMPERATUE

2700 K

### LIGHT DIRECTION

All directions

### EEI

0.37

### MEASURED POWER CONSUMPTION

7W

### INSTALLATION REQUIRED

Yes

### LIGHTSOURCE INCLUDED

Yes

### SHAPE

Oval

### FREQUENCY

50/60

### DIMMABLE

Yes

### COLOUR

Transparent with tinned cores

### CANOPY

Matching metal rectangle

### CRI

93

### LIGHT OUTPUT

260 lm

### EFFICIENCY

26 lm/W

---

## Technical cULus

### MATERIAL

Metal frame, plastic light guide, glass bulbs.

### ENERGY LABEL

Energy Label B

### LIGHTSOURCE TYPE

LED

### NUMBER OF LIGHTSOURCES

7

### INPUT VOLTAGE

110-130

### INSTALLATION REQUIRED

Yes

### LIGHTSOURCE INCLUDED

Yes

### SHAPE

Oval

### FREQUENCY

50/60

**MAX POWER CONSUMPTION**

10W

**LAMPHOLDER**

LED (Solid state)

**CABLE LENGTH**

250cm | 98.4"

**COLOUR TEMPERATURE**

2700 K

**LIGHT DIRECTION**

All directions

**EEL**

0.37

**MEASURED POWER CONSUMPTION**

7W

**DIMMABLE**

Yes

**COLOUR**

Transparent with tinned cores

**CANOPY**

Matching metal rectangle

**CRI**

93

**LIGHT OUTPUT**

260 lm

**EFFICIENCY**

26 lm/W

---

## Hubble Bubble Spheres 11

### Dimensions

### Product

### Packaging

**WIDTH** 99cm | 39"**HEIGHT** 102cm | 40.2"**DEPTH** 10cm | 3.9"**WEIGHT NETTO** 1kg | 2.2lbs**WIDTH** 25.5cm | 10"**HEIGHT** 31cm | 12.2"**CUBAGE** 0.07m<sup>3</sup> | 2.37ft<sup>3</sup>**LENGTH** 85cm | 33.5"**WEIGHT** 1cm | 2.2lbs

---

## Hubble Bubble Spheres 7

### Dimensions

### Product

### Packaging

**WIDTH** 73cm | 28.7"**HEIGHT** 71cm | 28"**DEPTH** 10cm | 3.9"**WEIGHT NETTO** 1kg | 2.2lbs**WIDTH** 25.5cm | 10"**HEIGHT** 31cm | 12.2"**CUBAGE** 0.05m<sup>3</sup> | 1.67ft<sup>3</sup>**LENGTH** 60cm | 23.6"**WEIGHT** 1cm | 2.2lbs

---

## Dimmer

For fluent dimming behaviour we advise a dimmer that is compatible with the following specs.

**DIMMER TYPE**

Mains dimmable (trailing edge / reverse phase)

Please note the functioning of the dimmer and the power supply combination can never be predicted, it always needs to be tested in practice.

**LOAD TYPE**

Capacitive load (C-Type)

---