

**BROOK  
FM43315  
FLUSH MOUNT**

PROJECT



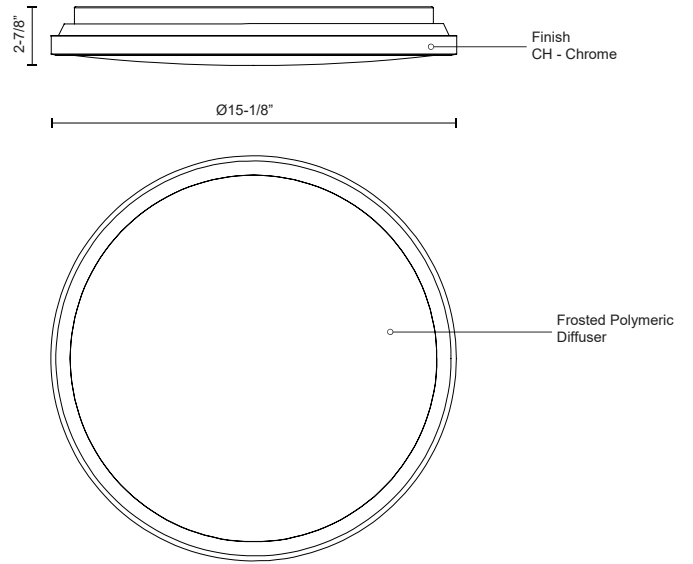
**DESCRIPTION**

Circular steel base with polymeric body, frosted acrylic lens, chrome plated finish

**SPECIFICATION DETAILS**

\* For custom options, consult factory for details.

<b>Fixture Dimensions</b>	D15-1/8" x H2-7/8"
<b>Light Source</b>	AC LED Module
<b>Wattage</b>	30W
<b>Total Lumens</b>	2550lm
<b>Delivered Lumens</b>	CH-1540lm
<b>Voltage</b>	120V
<b>Color Temperature</b>	3000K
<b>CRI (Ra)</b>	90CRI
<b>Optional Color Temps</b>	2700K - 5000K Available, Minimum Order Quantities Apply
<b>LED Rated Life</b>	50,000 hours
<b>Dimming</b>	100% - 10%, ELV Dimmer (Not Included)
<b>Diffuser Details</b>	Frosted acrylic diffuser
<b>Location</b>	Dry
<b>Compliance</b>	Energy Star; T24-JA8;
<b>Warranty</b>	5 Years
<b>Mounting Style</b>	All Orientation; Ceiling and Wall;
<b>CEC Title 24 JA8</b>	Yes, JA8-19
<b>Energy Star Certified</b>	Energy Star Compliant
<b>Finish Option(s)</b>	Chrome



**KUZCO**

19054 28TH AVENUE  
SURREY - BC V3Z 6M3  
CANADA

WWW.KUZCOLIGHTING.COM

COMMENT

