



CRI > 90

INFORM R1 DOWN

3500
K

LED CLUSTER 23.8W / 3641lm / 700mA



6 26811 9520 ◇

◇ = B-B / B-MMAT / FG-B / W-B / W-W

3000
K

LED CLUSTER 23.8W / 3954lm / 700mA



6 26811 9320 ◇

◇ = B-B / B-MMAT / FG-B / W-B / W-W

4.0 IP20 DAMP

CRI > 90

INFORM R1 DOWN-UP

3500
K

LED CLUSTER DOWN 23.8W / 3641lm / 700mA
LED CLUSTER UP 11.9W / 1821lm / 700mA



6 26812 9520 ◇

◇ = B-B / B-MMAT / FG-B / W-B / W-W

3000
K

LED CLUSTER DOWN 23.8W / 3594lm / 700mA
LED CLUSTER UP 11.9W / 1797lm / 700mA



6 26812 9320 ◇

◇ = B-B / B-MMAT / FG-B / W-B / W-W

4.8 IP20 DAMP

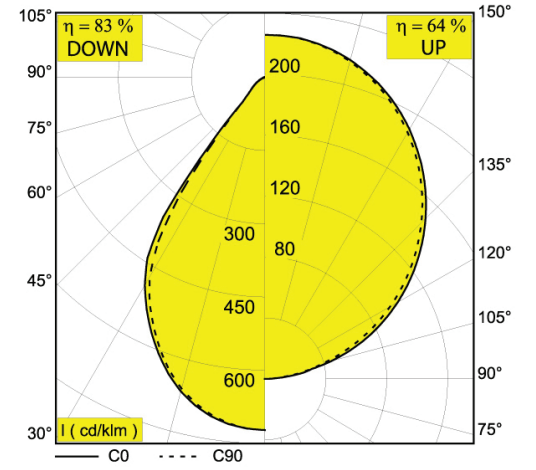
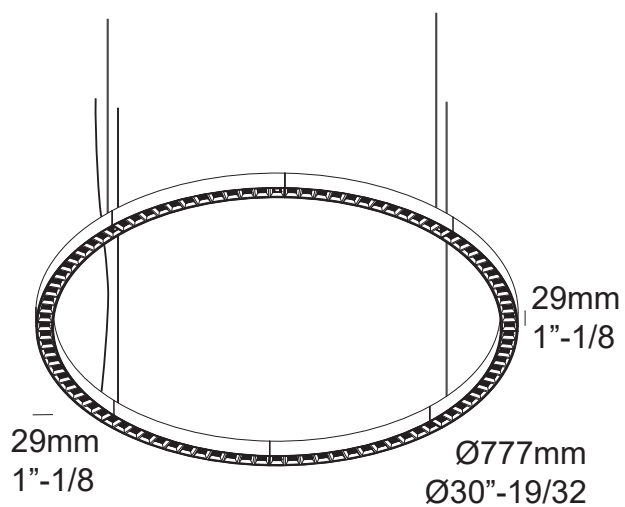
INCL.1 x CABLE 5 x 18 AWG TEXTILE 5'
INCL.4 x CABLE SUSPENSION SINGLE 5

REQUIREMENTS

LED POWER SUPPLY

OPTIONS

COVERPLATE R 129 6 204 00 129 ◇
◇ = B / W



⁽¹⁾Values based on 3000K standard finish

Application

Ceiling surface or suspended
For indoor use only

Color Finish

B - Black
FG - Flemish Gold
M - Gold Matte
W - White

Light Source

Led Cluster 23.8W down included or
Led Cluster 23.8W down / 11.9W upright included

Delivered Lumens

Down - 3040lm at 3500K⁽¹⁾ at 700mA
Down - 3001lm at 3000K⁽¹⁾ at 700mA
Down-up - 4561lm at 3500K⁽¹⁾ at 700mA
Down-up - 4501lm at 3000K⁽¹⁾ at 700mA

Power Supply

Remote Installation. Down-up requires 2 x Power Supplies

Specification features

Housing fabricated of powder coated aluminum
Suitable for damp location
Weight: 2.2 / 2.4lbs

PROJECT INFO

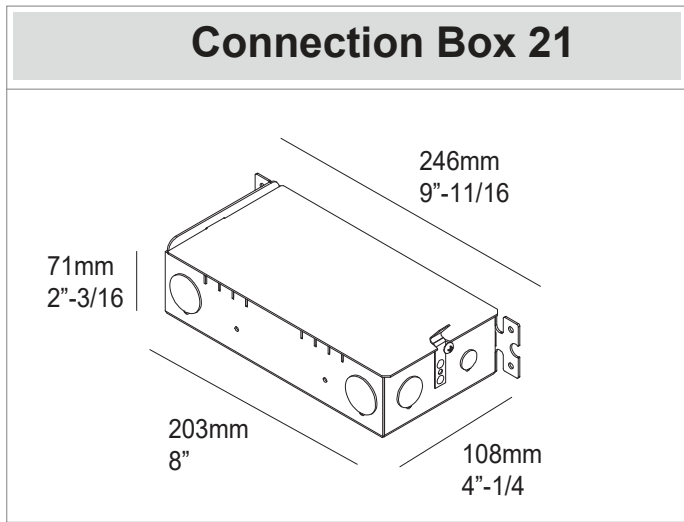
Date

Client

Project Name

Type/Quantity

POWER SUPPLY



Code	Description	TYPE
6 300 53 ED1 700	LED POWER SUPPLY 700mA-DC 55W 0-10V Dim 120-277V Remote	CONNECTION BOX 21
6 300 81 ED13	LED POWER SUPPLY 700mA-DC 35W Hi-Lume EcoSystem ¹ 120-277V Remote	CONNECTION BOX 21

¹DIMMING: Lutron Hi-lume 1% EcoSystem LED driver with Softon, Fade-to-Black dimming technology - LDE1